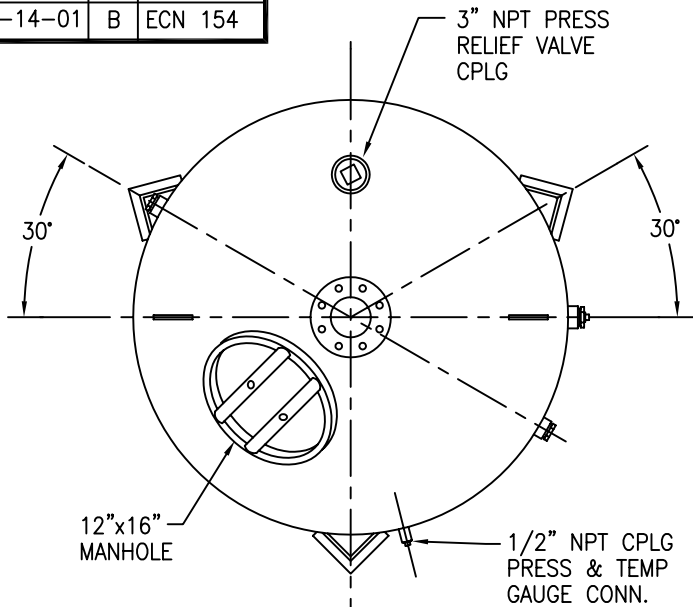
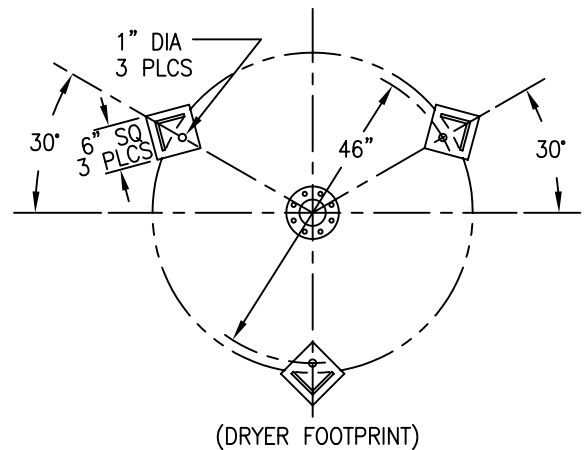
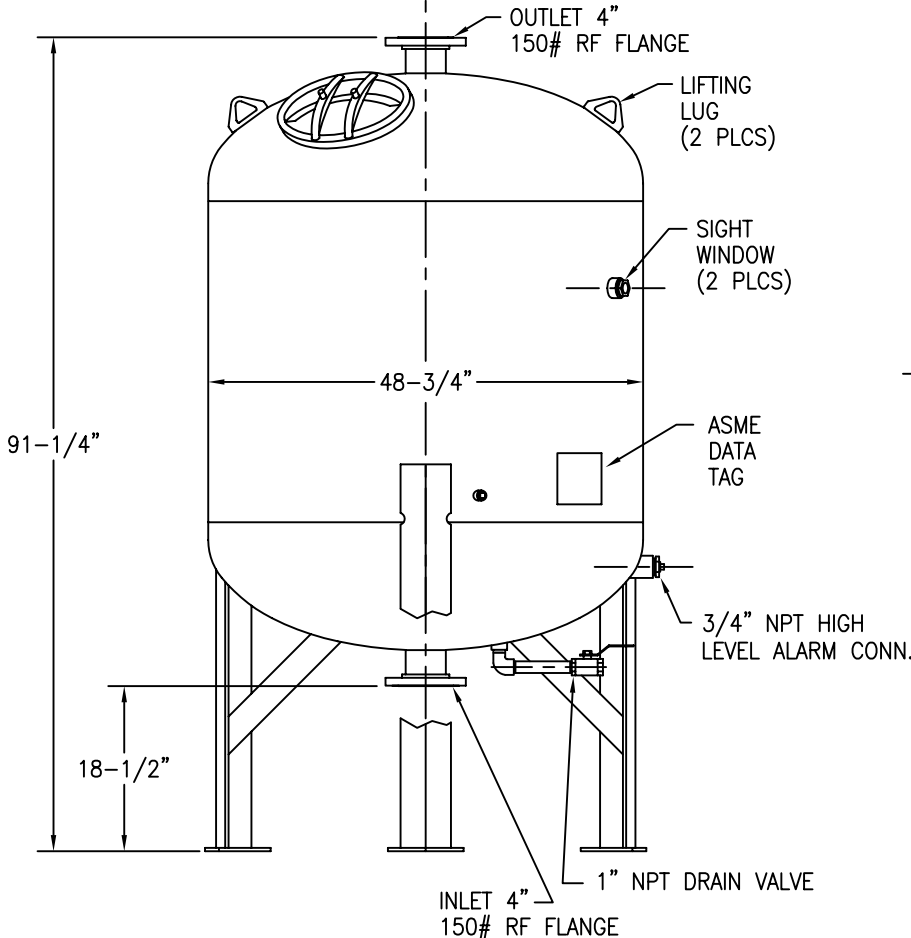


APP'L	DATE	LVL	REVISION
DK	5-5-93	A	ECN 5199
	3-14-01	B	ECN 154



- NOTES**
- 1) MAXIMUM WORKING PRESSURE: 150 PSIG.
 - 2) BUILT TO ASME CODE PLUS CURRENT ADDENDA.
 - 3) VESSEL STAMPED "U" SYMBOL.
 - 4) TEMPERATURE: -20°F TO 300°F.
 - 5) APPROXIMATE WEIGHT EMPTY: 2,150 LBS.
 - 6) APPROXIMATE WEIGHT FULL: 4,515 LBS.
 - 7) CAPACITY: 438.5 GALLONS.
 - 8) VOLUME: 58.6 CU.FT.
 - 9) INTERIOR PAINT: EPOXY PRIMER, GREY POLYURETHANE FINISH.
 - 10) EXTERIOR PAINT: WHITE ENAMEL FINISH.
 - 11) FLANGE BOLT HOLES TO STRADDLE CENTERLINES.

OPTIONAL EQUIPMENT
 PRESSURE & TEMPERATURE GAUGE KIT.
 HIGH LEVEL ALARM KIT.
 PRESSURE GAUGE KIT.
 TEMPERATURE GAUGE KIT.



P/N 80-0012

This drawing is the property of

VAN AIR SYSTEMS INC

and is subject to return upon request. It shall not be copied or duplicated in any manner and shall not be submitted to outside parties for examination without the consent of Van Air Systems Inc. It shall be used for reference to work under contract or proposals submitted by Van Air Systems Inc. only.

**DELIQUESCENT DRYER
 D48**

DRWN BY: MJM	DATE: 5-5-93	DRWG No.	REV
CHECKED:	SCALE: NONE	SD-11653	B

APPL: **VAN AIR SYSTEMS INC**

Lake City, PA 16423 (814)774-2631 Fax: 814/774-3482 Telex: 91-4548