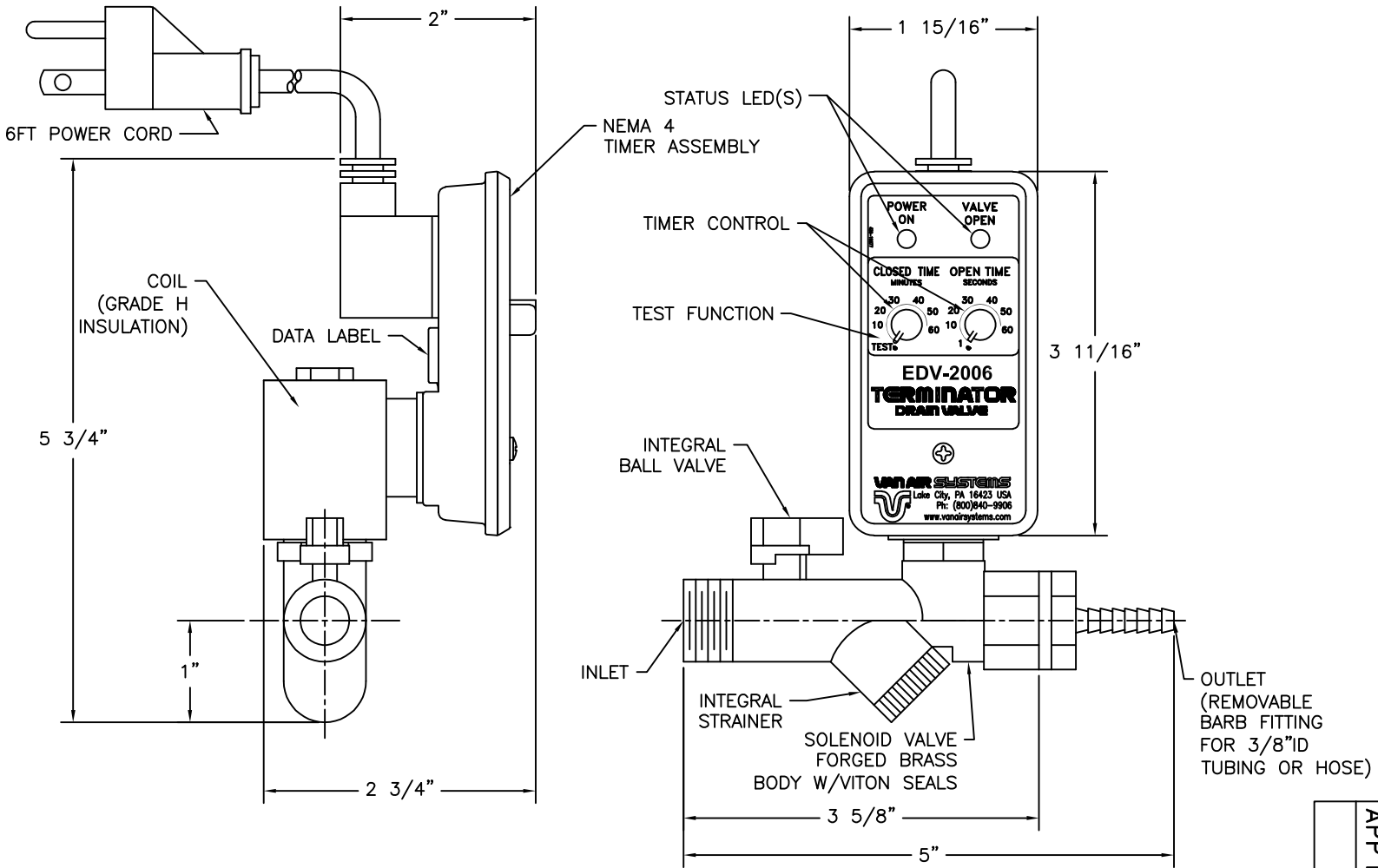


THIS DRAWING IS THE PROPERTY OF
van air inc.

AND IS SUBJECT TO RETURN UPON REQUEST. IT SHALL NOT BE COPIED OR DUPLICATED IN ANY MANNER AND SHALL NOT BE SUBMITTED TO OUTSIDE PARTIES FOR EXAMINATION WITHOUT THE CONSENT OF VAN AIR INC. IT SHALL BE USED FOR REFERENCE TO WORK UNDER CONTRACT OR PROPOSALS SUBMITTED BY VAN AIR INC. ONLY.

ELECTRONIC SOLENOID DRAIN VALVE

EDV-2006



*OUTLET ALSO HAS A REMOVABLE BARB FITTING FOR CONNECTION TO 3/8"ID TUBING OR HOSE.

SPECIFICATIONS

VAN AIR PART #	DUAL INLET CONNECTION SIZE (NPT)	OUTLET CONNECTION SIZE* (NPT)	ORIFICE SIZE	ELECTRICAL (V/PH/Hz)	CURRENT (AMPS)	WORKING PRESSURE RANGE (PSIG/BAR)	FLUID TEMP RANGE (°F/°C)	AMBIENT TEMP RANGE (°F/°C)	APPROX WEIGHT (lbs/Kg)
39-10500	1/4"(F) 1/2"(M)	1/2"(F)	5/32"	115/1/50-60	.09	0-300/0-20.7	32-132/0-56	35-130/0-54.4	1.6/.7
39-10501	1/4"(F) 1/2"(M)	1/2"(F)	5/32"	230/1/50-60	.04	0-300/0-20.7	32-132/0-56	35-135/0-54.4	1.6/.7
39-10502	1/4"(F) 1/2"(M)	1/2"(F)	5/32"	12V DC	1.6	0-300/0-20.7	32-132/0-56	35-130/0-54.4	1.6/.7

APP'L	DATE	LVL	ECN
	02-13-06	A	NO1120

DRWN BY: JPK
CHECKED:

DATE: 01-23-06
SCALE: NONE

APP'L:

DRWG No. SD-14181

REV A