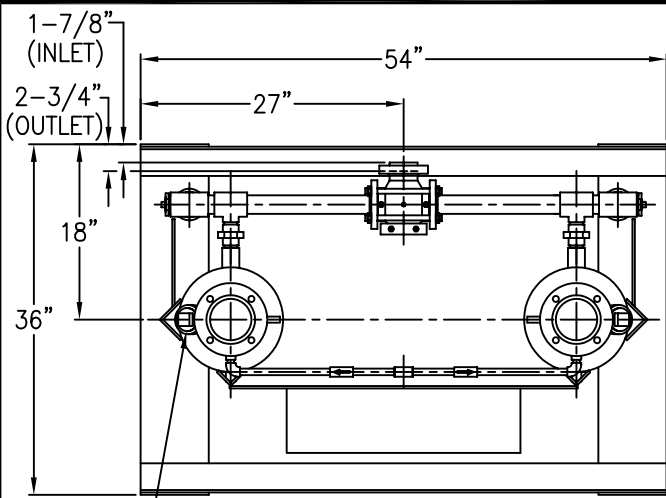
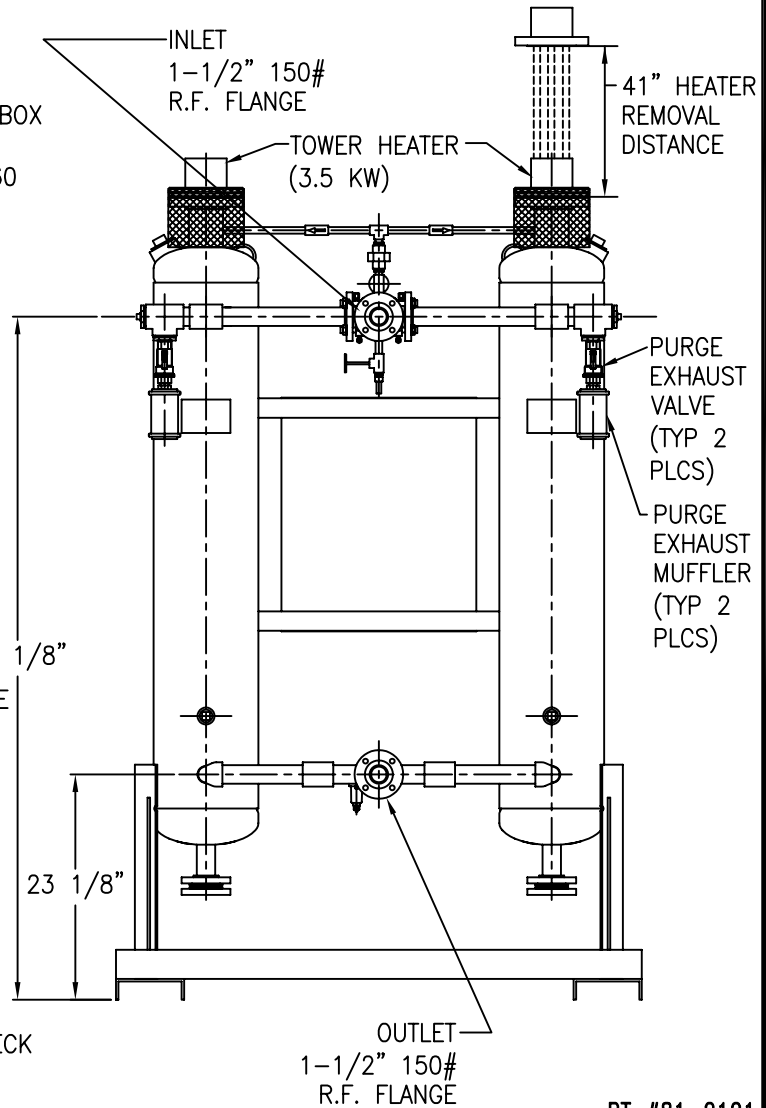
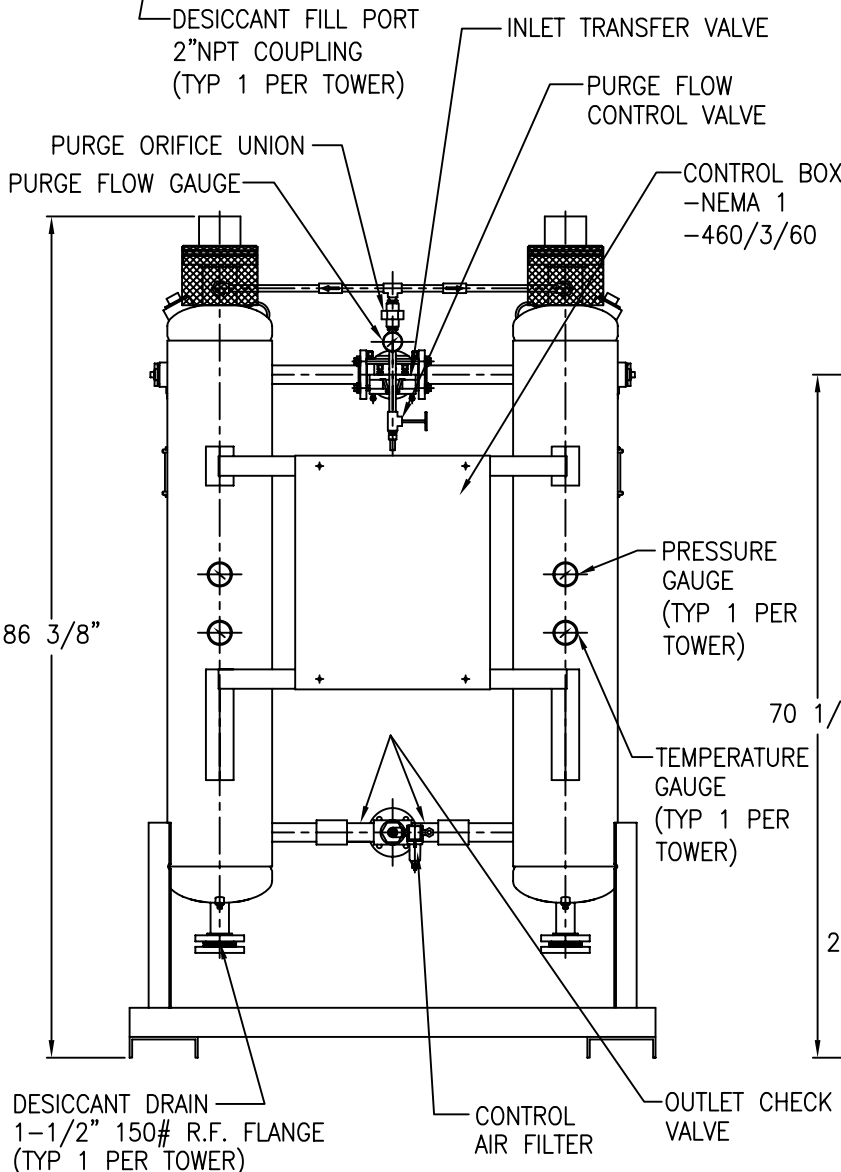


APP'L	DATE	LVL	REVISION



NOTES:

- 1) DRYER VESSELS BUILT TO ASME CODE PLUS CURRENT ADDENDA.
- 2) DRYER VESSELS STAMPED "UM" SYMBOL.
- 3) OPERATING PRESSURE RANGE: 75 PSIG TO 150 PSIG.
- 4) INLET OPERATING TEMPERATURE RANGE: 40°F TO 120°F.
- 5) AMBIENT TEMPERATURE RANGE: 40°F TO 120°F.
- 6) ALL FLANGE BOLT HOLES STRADDLE CENTERLINES.
- 7) APPROXIMATE WEIGHT OF UNIT: 750 LBS (WITHOUT DESICCANT).
- 8) RATED FLOW 150 SCFM AT 100 PSIG, 100°F.
- 9) AMOUNT OF DESICCANT (ACTIVATED ALUMINA [INSTALLED]): 232 LBS (116 LBS PER TOWER).



PT #81-2121

This drawing is the property of
VAN AIR SYSTEMS INC

and is subject to return upon request. It shall not be copied or duplicated in any manner and shall not be submitted to outside parties for examination without the consent of Van Air Systems Inc. It shall be used for reference to work under contract or proposals submitted by Van Air Systems Inc. only.

INTERNALLY HEATED DRYER HI-150, N1

DRWN BY: SCF	DATE: 6-14-2001	DRWG No. SD-13873	REV
CHECKED:	SCALE: NONE		

APPL: **VAN AIR SYSTEMS INC**

Lake City, PA 16423 (814)774-2631 Fax: 814/774-3482 Telex: 91-4548