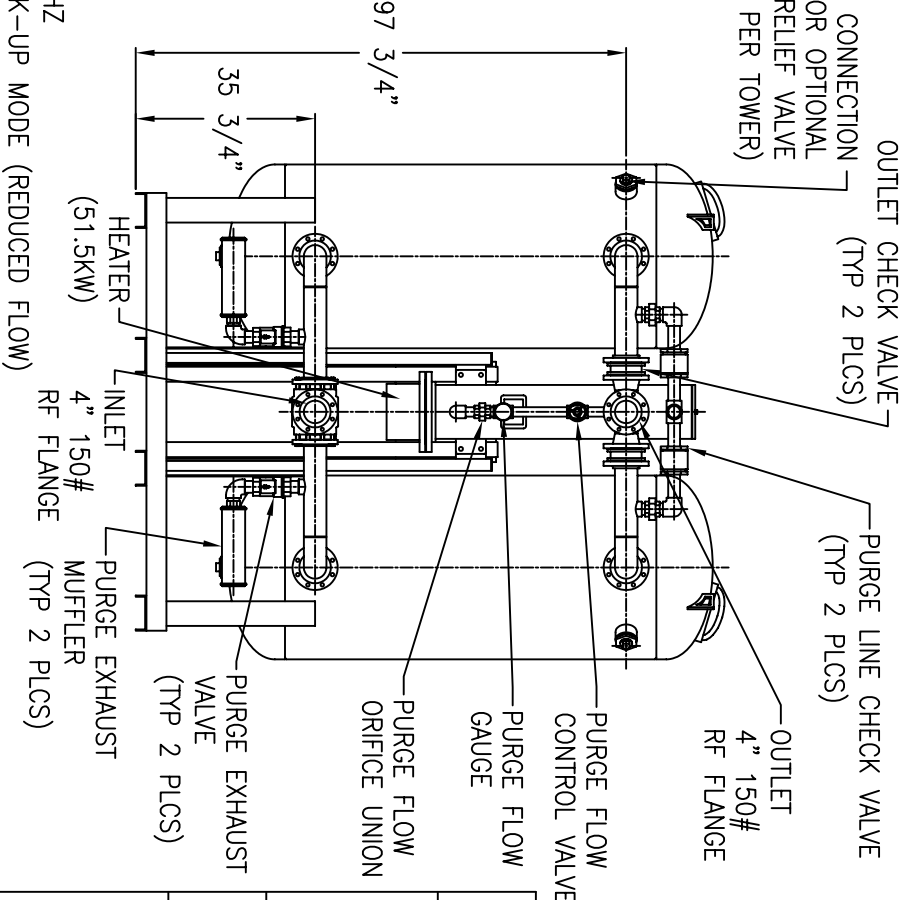
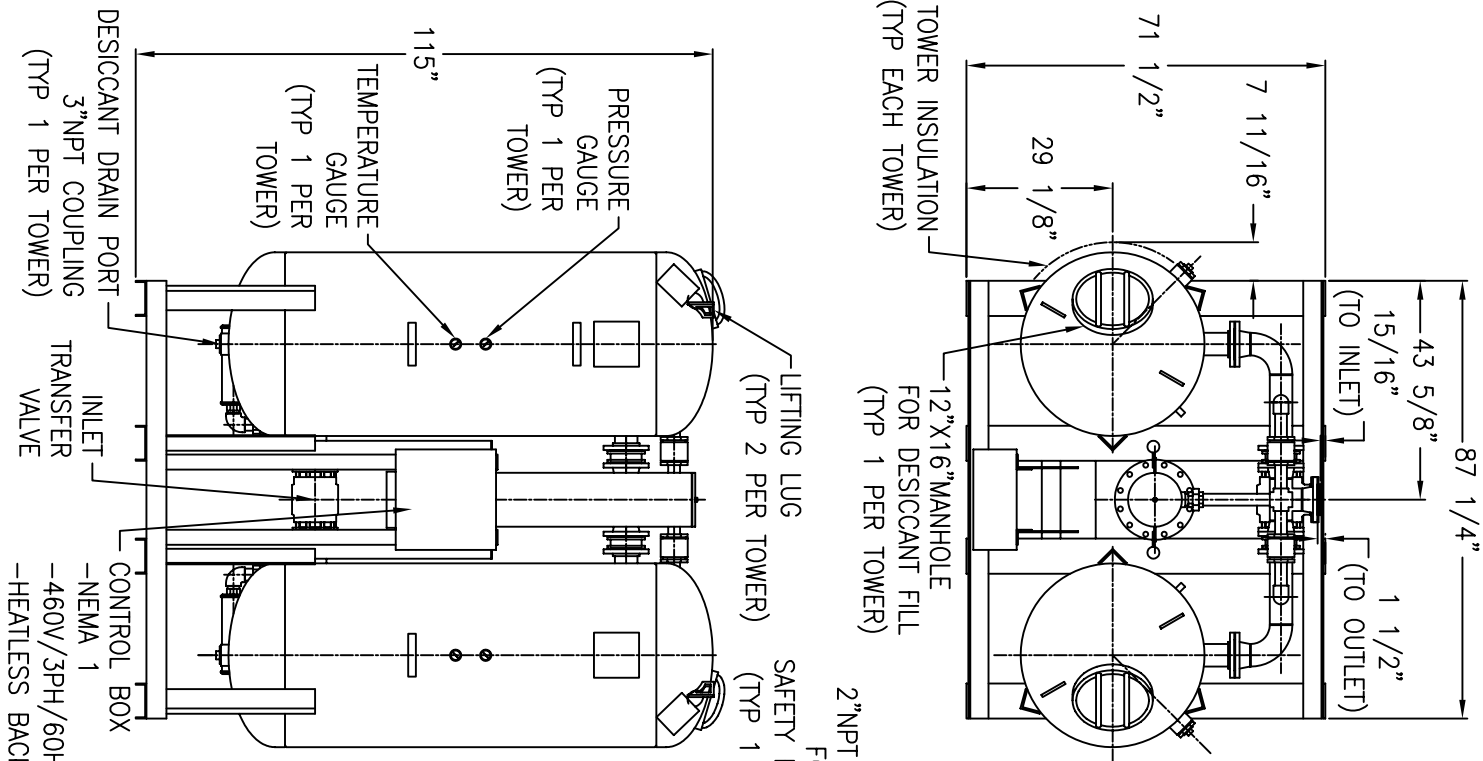


THIS DRAWING IS THE PROPERTY OF  
**VAN AIR SYSTEMS**  
 AND IS SUBJECT TO RETURN UPON REQUEST. IT SHALL NOT BE COPIED OR DUPLICATED IN ANY MANNER AND SHALL NOT BE SUBMITTED TO OUTSIDE PARTIES FOR EXAMINATION WITHOUT THE CONSENT OF VAN AIR SYSTEMS. IT SHALL BE USED FOR REFERENCE TO WORK UNDER CONTRACT OR PROPOSALS SUBMITTED BY VAN AIR SYSTEMS ONLY.

# REGEN DRYER HP3000



- NOTES:**
- 1) OPERATING PRESSURE RANGE: 75-150 PSIG.
  - 2) INLET TEMPERATURE RANGE: 40°F TO 120°F.
  - 3) AMBIENT TEMPERATURE RANGE: 40°F TO 120°F.
  - 4) RATED FLOW: 3000 SCFM @ 100 PSIG, 100°F.
  - 5) DRYER VESSELS AND HEATER HOUSING ARE BUILT TO ASME CODE PLUS CURRENT ADDENDA.
  - 6) DRYER VESSELS ARE STAMPED WITH "U" SYMBOL, THE HEATER HOUSING IS STAMPED WITH "UM" SYMBOL. (EXCLUDING THE OUTLET AND OUTLET CHECK VALVES), AND THE TOP THIRD OF EACH DRYER VESSEL ARE INSULATED WITH 1-1/2" MINIMUM THICKNESS FIBERGLASS WITH ALUMINUM COVER.
  - 7) THE HEATER HOUSING, THE MAIN OUTLET PIPING (EXCLUDING THE OUTLET AND OUTLET CHECK VALVES), AND THE TOP THIRD OF EACH DRYER VESSEL ARE INSULATED WITH 1-1/2" MINIMUM THICKNESS FIBERGLASS WITH ALUMINUM COVER.
  - 8) THE DESICCANT: 4650 LBS (ACTIVATED ALUMINA) IS SHIPPED SEPARATELY.
  - 9) APPROXIMATE WEIGHT OF UNIT: 4000 LBS (WITHOUT DESICCANT).

DRWN BY: JMK	DATE: 08-11-00	DRWG No.	SD-14020
CHECKED:	SCALE: NONE	REV	
APPL:	<b>VAN AIR SYSTEMS</b> A DIVISION OF <b>VAN AIR INC.</b> LAKE CITY, PA 16423 (814)774-2631 FAX:(814)774-4065		

APP'L	DATE	LVL	ECN
-------	------	-----	-----