

**SPECIFICATIONS:**

**1. CAPACITY:**

SCREW & ROTARY COMPRESSORS W/ OIL INJECTION COOLING

COMPRESSOR OUTPUT IN SCFM/ COMPRESSOR HORSEPOWER		
MINERAL OIL	PAO/DIESTER OIL	SYNTHETIC OIL
900/200	585/130	450/100
PISTON COMPRESSOR 1 & 2 STAGE	585/130	338/75

PISTON COMPRESSOR 1 & 2 STAGE

FRESH OIL LUBRICATED ROTARY COMPRESSORS AND MULTI-STAGE PISTON COMPRESSORS HAVE A GREATER TENDENCY TOWARD EMULSIFICATION. CONDENSATE DISCHARGE CONTAINING STABLE EMULSIONS WILL REQUIRE THE USE OF A MORE SOPHISTICATED TYPE OF SEPARATOR THAT CAN EFFECTIVELY SEPARATE STABLE EMULSIONS.

ROTARY COMPRESSOR W/ FRESH OIL DRIP FEED LUBRICATION

PISTON COMPRESSOR 3, 4 & 5 STAGE

**2. FLUID CAPACITIES:**

- \*HOUSING (MAX): 30.51 GAL. \*PRE-FILTER: 4.89 GAL.
- \*HOUSING (FILL): 19.15 GAL. \*CARBON FILTER: 5.42 GAL.

**3. WEIGHTS:**

- \*UNIT (EMPTY): 70.6 LBS.
- \*UNIT (MAX FULL): 325 LBS.

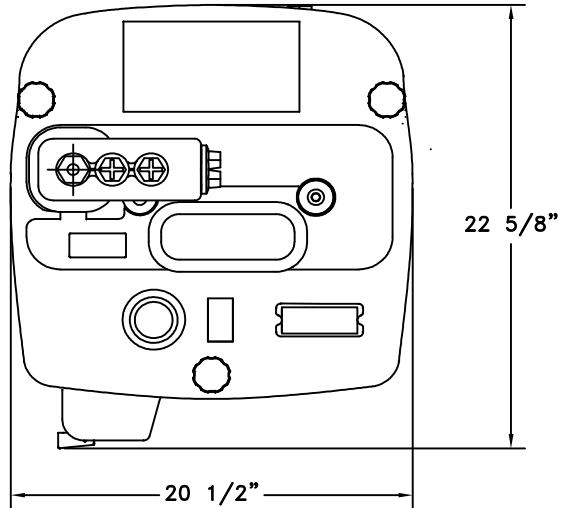
**4. CONDENSATE TEMPERATURE: RANGE. 41°F TO 140°F.**

**5. QUIK-PURE OIL/WATER SEPARATORS ARE NOT DESIGNED TO SEPARATE STABLE OIL/WATER EMULSIONS.**

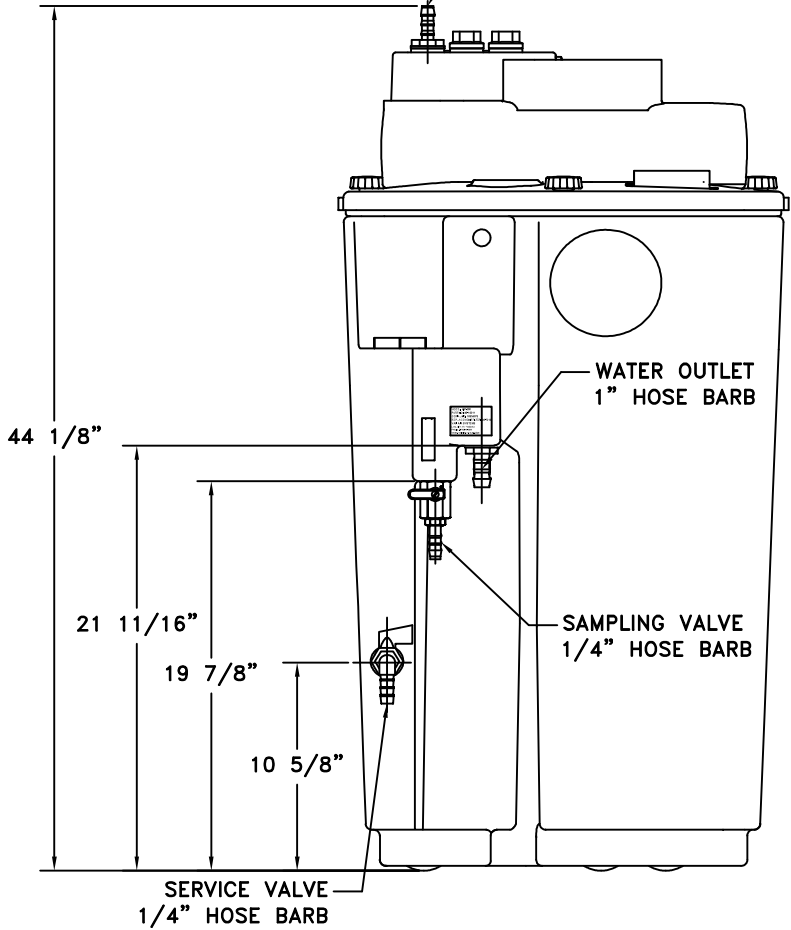
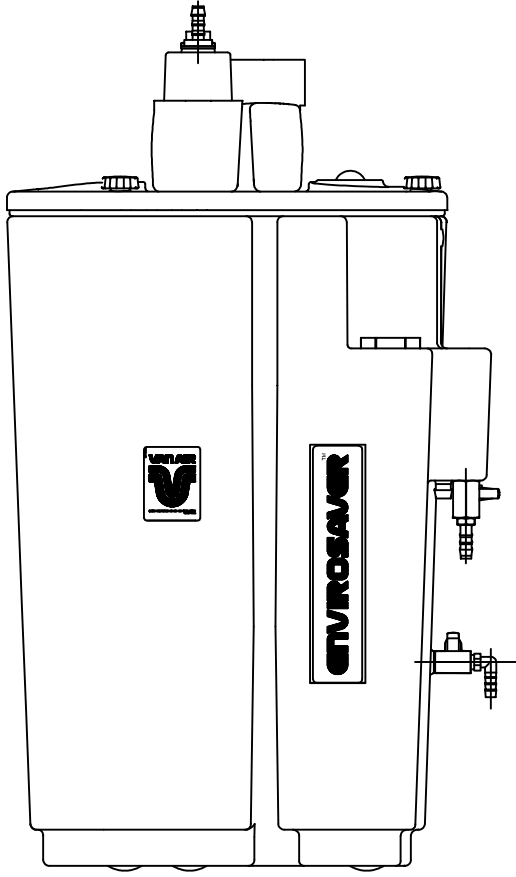
**6. ACCESSORIES & REPLACEMENT PARTS:**

- \*MULTIPLE INLET ADAPTER: (P/N 26-7216), FOR USE IN CONNECTING UP TO 3 UNITS TOGETHER.
- \*REPLACEMENT FILTER SET: (P/N 26-7213) SET INCLUDES (1) PREFILTER & (1) ACTIVATED CARBON FILTER.
- \*ALARM SENSOR FOR LEVEL INDICATOR (P/N 26-7217)
- \*FLOW SPLITTER KIT: (P/N 26-7215)
- \*HIGH PRESSURE RELIEF CHAMBER: (P/N 26-7218)
- \*HEATER 230V (P/N 26-7222)
- \*OTHER REPLACEMENT PARTS AVAILABLE.

APP'L	DATE	LVL	ECN



CONDENSATE INLET  
1/2" HOSE BARB



P/N: 85-10011

THIS DRAWING IS THE PROPERTY OF

**VAN AIR INC.**

AND IS SUBJECT TO RETURN UPON REQUEST. IT SHALL NOT BE COPIED OR DUPLICATED IN ANY MANNER AND SHALL NOT BE SUBMITTED TO OUTSIDE PARTIES FOR EXAMINATION WITHOUT THE CONSENT OF VAN AIR INC. IT SHALL BE USED FOR REFERENCE TO WORK UNDER CONTRACT OR PROPOSALS SUBMITTED BY VAN AIR INC. ONLY.

**OIL WATER SEPARATOR  
ENVIROSAVER QP-200**

DRWN BY: JMY	DATE: 06-15-09	DRWG No.	REV
CHECKED:	SCALE: NONE	SD-14440	

APP'L: **VAN AIR SYSTEMS**  
A DIVISION OF VAN AIR INC. LAKE CITY, PA 16423 (814)774-2631 FAX:(814)774-4065