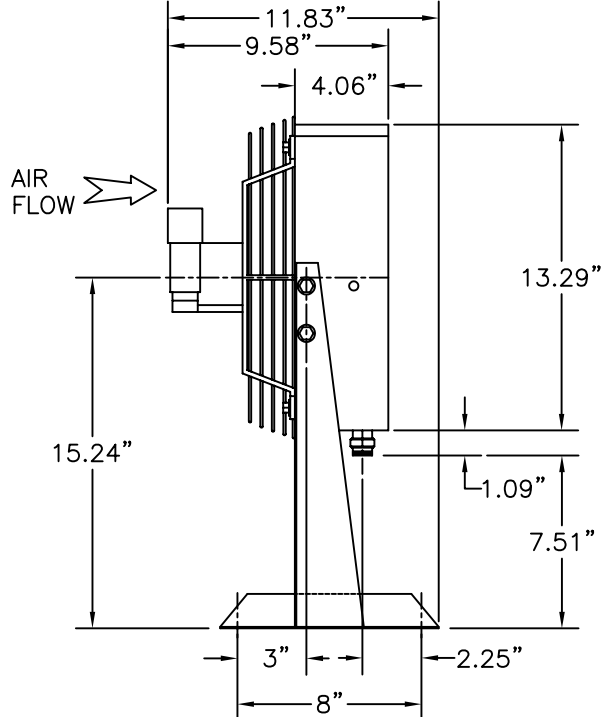
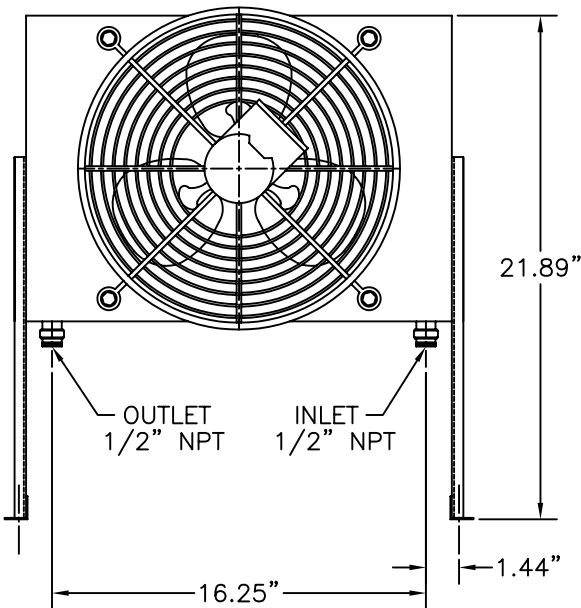
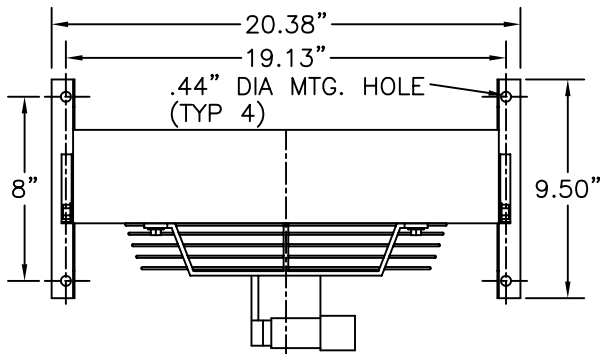


APP'L	DATE	LVL	REVISION
	8-8-95	A	ECN: N0646

NOTES

1. Maximum Working Pressure: 250 PSIG
2. Maximum Working Temperature: 350°F
3. Materials of Construction:
 Cabinet- Steel with baked enamel finish
 Core- Aluminum fins on copper tubes
 Fan- Heavy gauge aluminum with steel hub
 Motor- Open vented
 Fan Guard- Zinc chromate plated steel
4. Unit shipped with legs not installed
5. Legs can be installed for vertical operation see SD-13112-2 for dimensions
6. Unit shipping weight: AC-10-1 25 LBS
 AC-20-1 27 LBS
7. See dwg A-6882 for wiring diagram.



CAPACITY MAX. SCFM @ 5, 10, 15 and 20°F Approach - Based on 80 to 125 PSIG

INLET TEMP. °F	150				200				250				300				350				
	5	10	15	20	5	10	15	20	5	10	15	20	5	10	15	20	5	10	15	20	
MODEL	PART NO																				
AC-10-1	83-0662	17	35*	35*	35*	11	22	35	35*	8	16	20	35	6	12	19	26	5	10	15	21
AC-20-1	83-0663	29	43*	43*	43*	17	36	43*	43*	12	27	35	43*	10	20	31	42*	8	16	26	35

Maximum pressure drop, less than 3 PSI.

*Maximum ratings restricted by pressure drop, actual thermal capacities are higher.

ELECTRIC MOTOR AND FAN DATA

MODEL	FAN CFM	MOTOR H.P.	VOLTAGE	FULL LOAD AMPS	RPM	NEMA FRAME	THERMAL OVERLOAD
AC-10-1	615	1/12	115V-1PH-60Hz	2.5	1600	CUSTOM	YES
AC-20-1	615	1/12	115V-1PH-60Hz	2.5	1600	CUSTOM	YES

Published electrical ratings are approximate, and may vary because of motor brand. Actual ratings are on motor.

This drawing is the property of

VAN AIR SYSTEMS INC

and is subject to return upon request. It shall not be copied or duplicated in any manner and shall not be submitted to outside parties for examination without the consent of Van Air Systems Inc. It shall be used for reference to work under contract or proposals submitted by Van Air Systems Inc. only.

AFTERCOOLER
MODELS AC-10-1 & AC-20-1
 HORIZONTAL AIR FLOW

DRWN BY: jAc	DATE: 05-02-95	DRWG No. SD-13112-1	REV A
CHECKED:	SCALE: ----		
APPL:			

VAN AIR SYSTEMS INC

Lake City, PA 16423 (814)774-2631 Fax: 814/774-3482