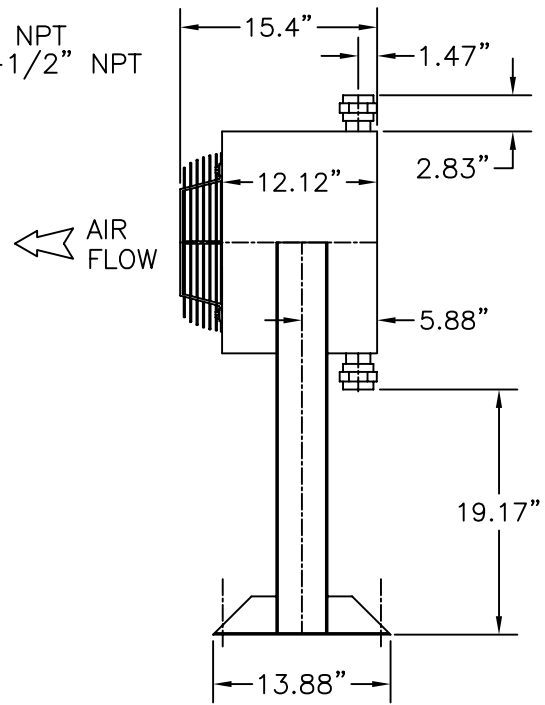
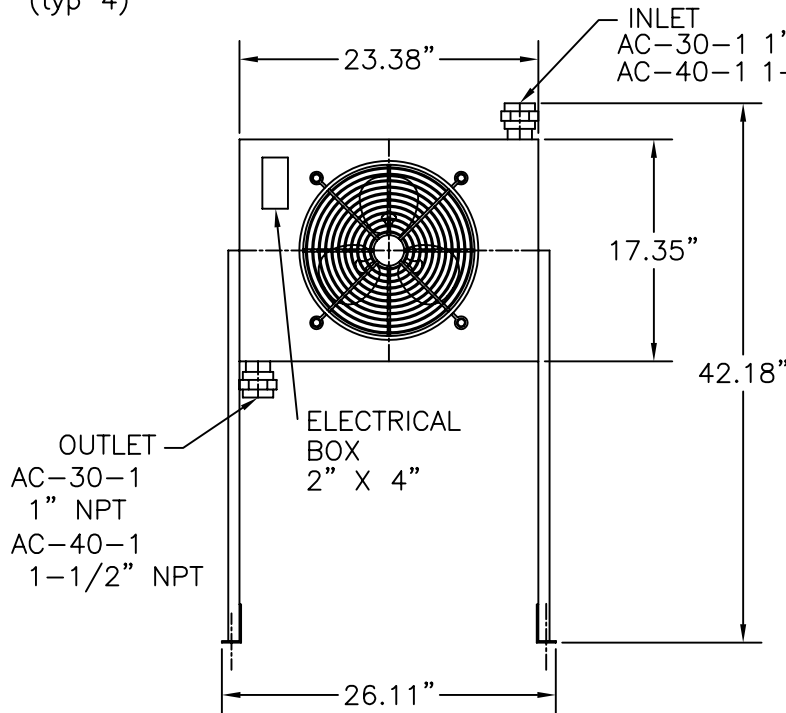
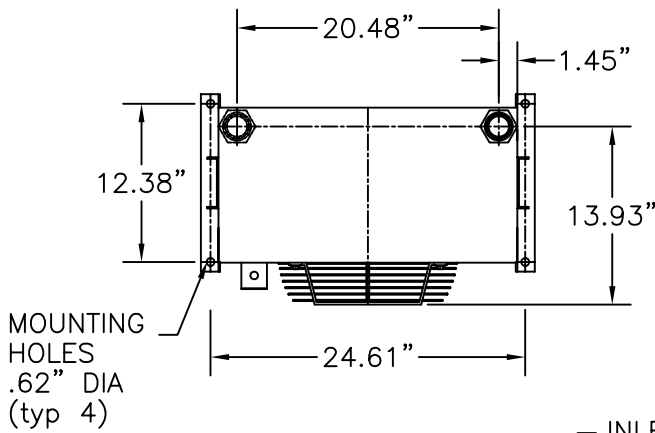


APP'L	DATE	LVL	REVISION
	8-8-95	A	ECN: N0648

NOTES

1. Maximum Working Pressure: 250 PSIG
2. Maximum Working Temperature: 350°F
3. Materials of Construction:
Cabinet- Steel with baked enamel finish
Core- Aluminum fins on copper tubes
Fan- Heavy gauge aluminum with steel hub
Motor- Open vented
Fan Guard- Zinc chromate plated steel
4. Unit shipped with legs not installed
5. Legs can be installed for vertical operation see SD-13113-2 for dimensions
6. Unit shipping weight: AC-30-1 61 LBS
AC-40-1 67 LBS
7. See dwg A-6882 for wiring diagram.



CAPACITY MAX. SCFM @ 5, 10, 15 and 20°F Approach - Based on 80 to 125 PSIG

INLET TEMP. °F	150				200				250				300				350				
	5	10	15	20	5	10	15	20	5	10	15	20	5	10	15	20	5	10	15	20	
MODEL	PART NO																				
AC-30-1	83-0664	43	72	72*	72*	28	50	70	72*	22	35	50	70	18	32	45	57	15	28	39	50
AC-40-1	83-0665	95	125*	125*	125*	66	111	125*	125*	52	88	100	125*	44	74	100	125	38	64	86	108

Maximum pressure drop, less than 3 PSI.
*Maximum ratings restricted by pressure drop, actual thermal capacities are higher.

ELECTRIC MOTOR AND FAN DATA

MODEL	FAN CFM	MOTOR H.P.	VOLTAGE	FULL LOAD AMPS	RPM	NEMA FRAME	THERMAL OVERLOAD
AC-30-1	945	1/12	115V-1PH-60Hz	2.5	1600	CUSTOM	YES
AC-40-1	945	1/12	115V-1PH-60Hz	2.5	1600	CUSTOM	YES

Published electrical ratings are approximate, and may vary because of motor brand. Actual ratings are on motor.

This drawing is the property of

VAN AIR SYSTEMS INC

and is subject to return upon request. It shall not be copied or duplicated in any manner and shall not be submitted to outside parties for examination without the consent of Van Air Systems Inc. It shall be used for reference to work under contract or proposals submitted by Van Air Systems Inc. only.

AFTERCOOLER
MODELS AC-30-1 & AC-40-1
HORIZONTAL AIRFLOW

DRWN BY: jAc	DATE: 06-05-95	DRWG No. SD-13113-1	REV A
CHECKED:	SCALE: ----		

APPL: **VAN AIR SYSTEMS INC**
Lake City, PA 16423 (814)774-2631 Fax: 814/774-3482