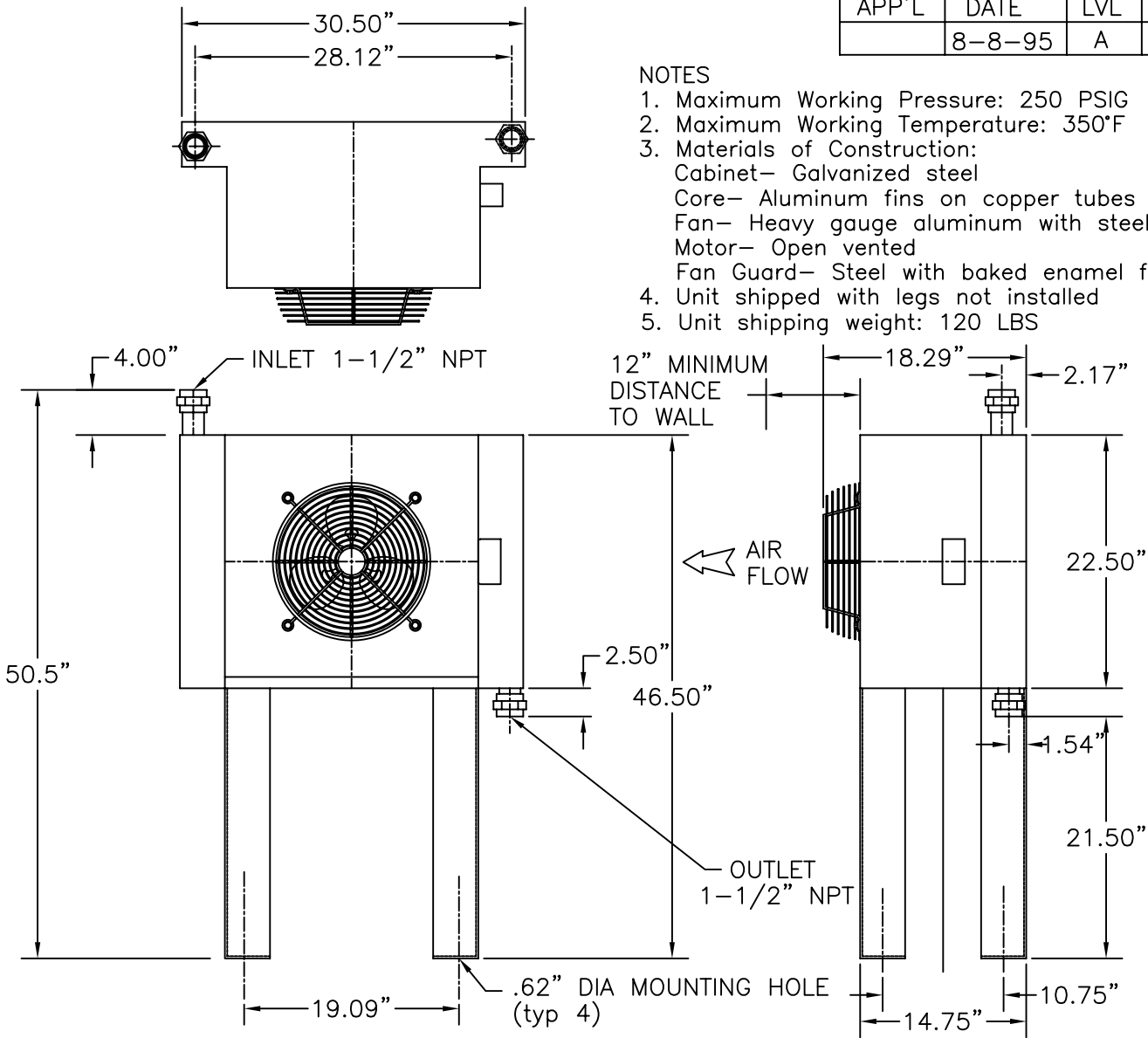


APP'L	DATE	LVL	REVISION
	8-8-95	A	ECN: N0652

NOTES

1. Maximum Working Pressure: 250 PSIG
2. Maximum Working Temperature: 350°F
3. Materials of Construction:  
 Cabinet- Galvanized steel  
 Core- Aluminum fins on copper tubes  
 Fan- Heavy gauge aluminum with steel hub  
 Motor- Open vented  
 Fan Guard- Steel with baked enamel finish
4. Unit shipped with legs not installed
5. Unit shipping weight: 120 LBS



CAPACITY MAX. SCFM @ 5, 10, 15 and 20°F Approach - Based on 80 to 125 PSIG

INLET TEMP. °F	150				200				250				300				350				
	5	10	15	20	5	10	15	20	5	10	15	20	5	10	15	20	5	10	15	20	
MODEL																					
AC-80 (all voltages)	50	87	119	150	40	69	94	117	34	59	80	100	30	52	71	89	28	47	65	82	

Maximum pressure drop, less than 3 PSI.

ELECTRIC MOTOR AND FAN DATA

MODEL	PART NO	FAN CFM	MOTOR H.P.	VOLTAGE	FULL LOAD AMPS	RPM	NEMA FRAME	THERMAL OVERLOAD	WIRING DIAGRAM
AC-80-1	83-0681	1375	1/4	115V-1PH-60Hz	7.2	1600	CUSTOM	YES	A-6883
AC-80-2	83-0682	1375	1/4	115V-1PH-60Hz	5.0	1725	NEMA 48	NONE	A-6883
AC-80-3	83-0683	1375	1/4	230V-1PH-60Hz	2.5	1725	NEMA 48	NONE	A-6884
AC-80-4	83-0684	1375	1/4	230V-3PH-60Hz	1.3	1725	NEMA 48	NONE	A-6885
AC-80-5	83-0685	1375	1/4	460V-3PH-60Hz	.65	1725	NEMA 48	NONE	A-6886

Published electrical ratings are approximate, and may vary because of motor brand. Actual ratings are on motor.

This drawing is the property of

**VAN AIR SYSTEMS INC**

and is subject to return upon request. It shall not be copied or duplicated in any manner and shall not be submitted to outside parties for examination without the consent of Van Air Systems Inc. It shall be used for reference to work under contract or proposals submitted by Van Air Systems Inc. only.

AFTERCOOLER  
 MODELS AC-80 (ALL VOLTAGES)

DRWN BY: jAc	DATE: 06-05-95	DRWG No. SD-13117	REV A
CHECKED:	SCALE: ----		

APPL: **VAN AIR SYSTEMS INC**  
 Lake City, PA 16423 (814)774-2631 Fax: 814/774-3482