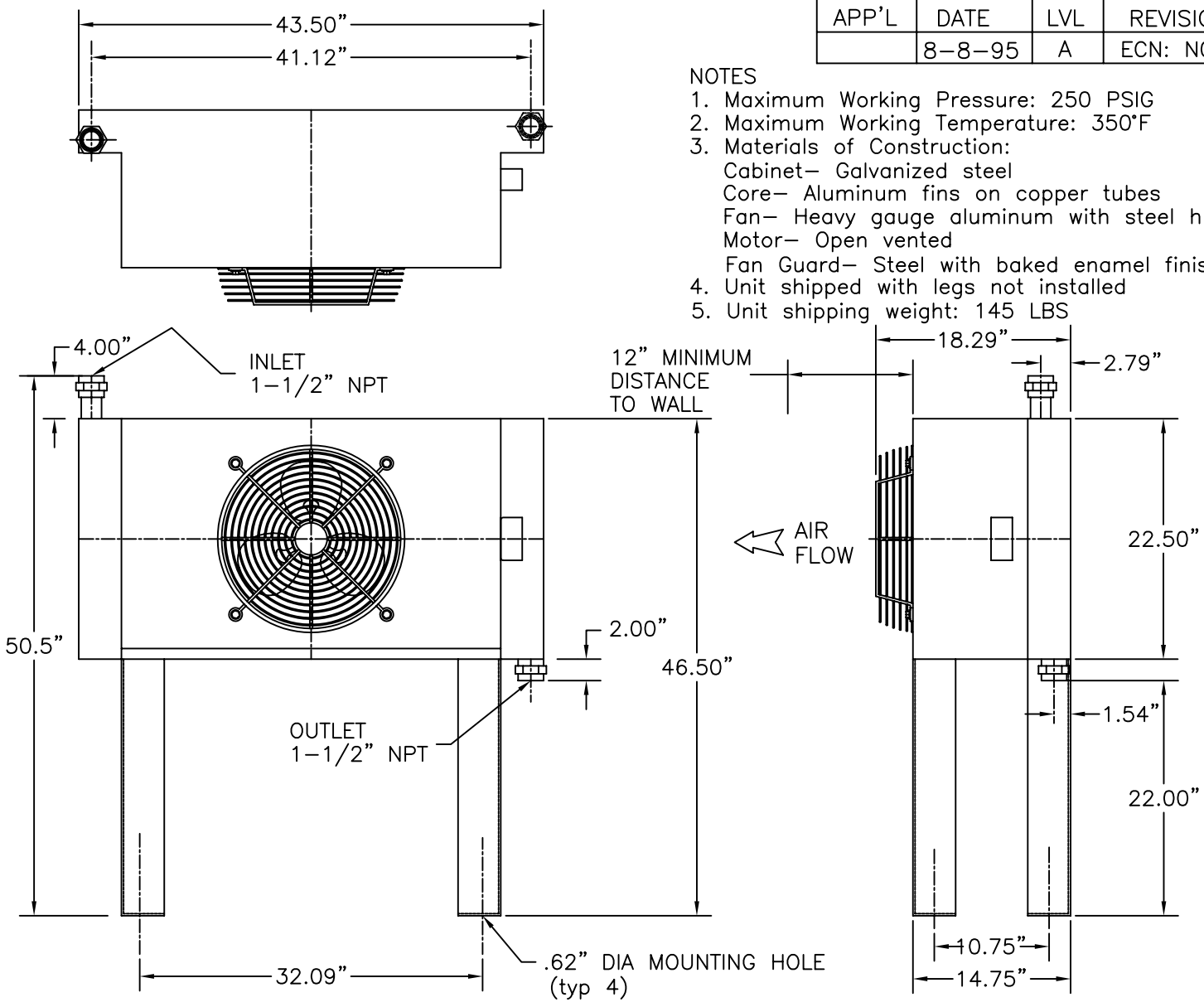


APP'L	DATE	LVL	REVISION
	8-8-95	A	ECN: N0655

NOTES

1. Maximum Working Pressure: 250 PSIG
2. Maximum Working Temperature: 350°F
3. Materials of Construction:
 Cabinet- Galvanized steel
 Core- Aluminum fins on copper tubes
 Fan- Heavy gauge aluminum with steel hub
 Motor- Open vented
 Fan Guard- Steel with baked enamel finish
4. Unit shipped with legs not installed
5. Unit shipping weight: 145 LBS



CAPACITY MAX. SCFM @ 5, 10, 15 and 20°F Approach - Based on 80 to 125 PSIG

INLET TEMP. °F	150				200				250				300				350				
	5	10	15	20	5	10	15	20	5	10	15	20	5	10	15	20	5	10	15	20	
MODEL																					
AC-110 (all voltages)	92	160	220	270	73	125	172	215	63	110	150	187	55	95	130	160	50	86	120	148	

Maximum pressure drop, less than 3 PSI.

ELECTRIC MOTOR AND FAN DATA

MODEL	PART NO	FAN CFM	MOTOR H.P.	VOLTAGE	FULL LOAD AMPS	RPM	NEMA FRAME	THERMAL OVERLOAD	WIRING DIAGRAM
AC-110-1	83-0696	2350	1/4	115V-1PH-60Hz	7.2	1600	CUSTOM	YES	A-6883
AC-110-2	83-0697	2350	1/4	115V-1PH-60Hz	5.0	1725	NEMA 48	NONE	A-6883
AC-110-3	83-0698	2350	1/4	230V-1PH-60Hz	2.5	1725	NEMA 48	NONE	A-6884
AC-110-4	83-0699	2350	1/4	230V-3PH-60Hz	1.3	1725	NEMA 48	NONE	A-6885
AC-110-5	83-0700	2350	1/4	460V-3PH-60Hz	.65	1725	NEMA 48	NONE	A-6886

Published electrical ratings are approximate, and may vary because of motor brand. Actual ratings are on motor.

This drawing is the property of

VAN AIR SYSTEMS INC

and is subject to return upon request. It shall not be copied or duplicated in any manner and shall not be submitted to outside parties for examination without the consent of Van Air Systems Inc. It shall be used for reference to work under contract or proposals submitted by Van Air Systems Inc. only.

AFTERCOOLER
 MODELS AC-110 (ALL VOLTAGES)

DRWN BY: jAc	DATE: 06-05-95	DRWG No. SD-13120	REV A
CHECKED:	SCALE: ----		

APPL: **VAN AIR SYSTEMS INC**
 Lake City, PA 16423 (814)774-2631 Fax: 814/774-3482