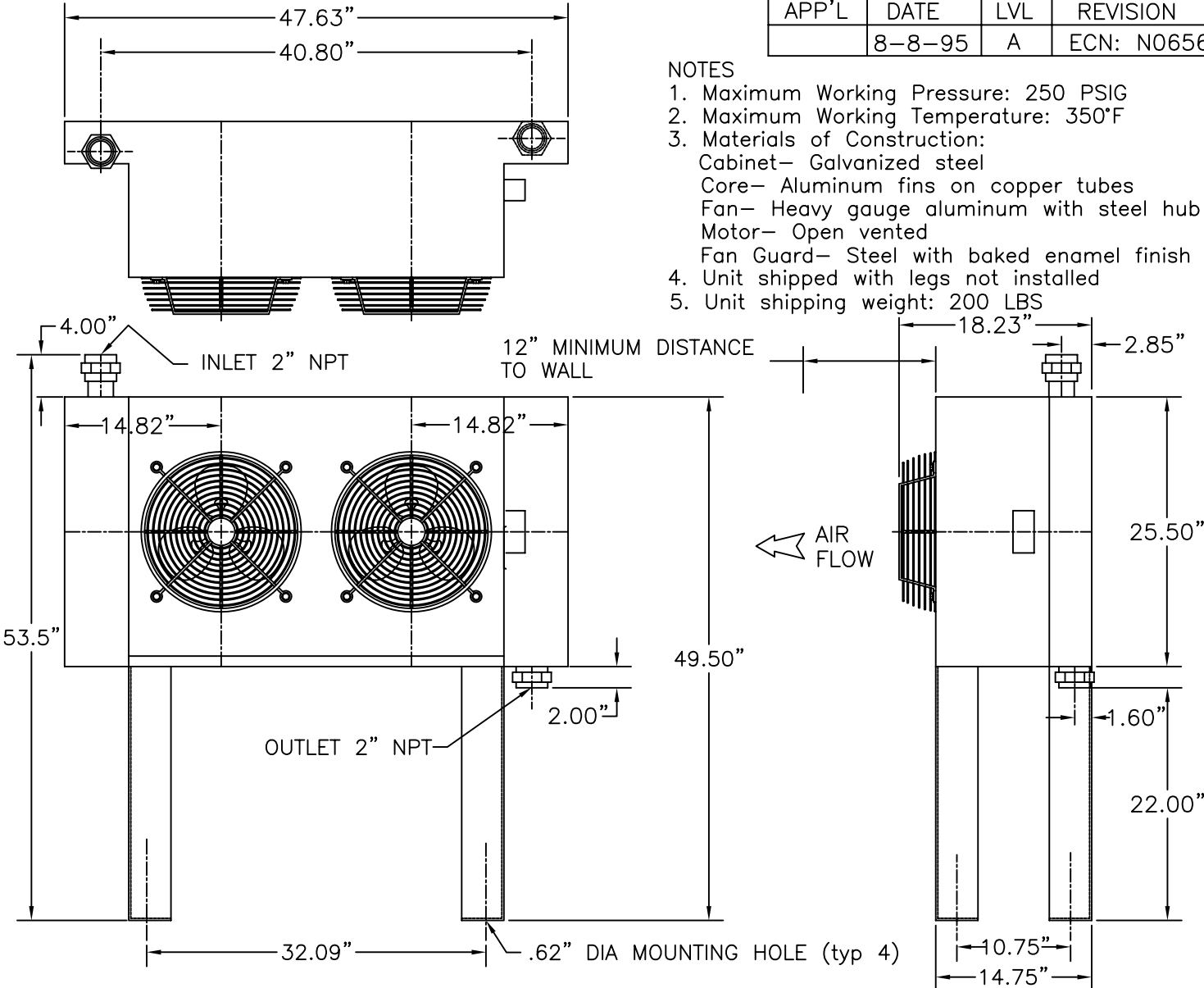


APP'L	DATE	LVL	REVISION
	8-8-95	A	ECN: N0656

- NOTES
1. Maximum Working Pressure: 250 PSIG
 2. Maximum Working Temperature: 350°F
 3. Materials of Construction:
 Cabinet- Galvanized steel
 Core- Aluminum fins on copper tubes
 Fan- Heavy gauge aluminum with steel hub
 Motor- Open vented
 Fan Guard- Steel with baked enamel finish
 4. Unit shipped with legs not installed
 5. Unit shipping weight: 200 LBS



CAPACITY MAX. SCFM @ 5, 10, 15 and 20°F Approach - Based on 80 to 125 PSIG

INLET TEMP. °F	150				200				250				300				350			
	5	10	15	20	5	10	15	20	5	10	15	20	5	10	15	20	5	10	15	20
MODEL																				
AC-120 (all voltages)	160	275	380	425*	120	207	285	355	100	175	240	300	84	145	204	250	78	135	185	231

Maximum pressure drop, less than 3 PSI.
 *Maximum ratings restricted by pressure drop, actual thermal capacities are higher.

ELECTRIC MOTOR AND FAN DATA

MODEL	PART NO	FAN CFM	MOTOR H.P.	VOLTAGE	FLA (EA. MTR)	RPM	NEMA FRAME	THERMAL OVERLOAD	WIRING DIAGRAM
AC-120-1	83-0701	4600	1/4(2)	115V-1PH-60Hz	7.2	1600	CUSTOM	YES	A-6883
AC-120-2	83-0702	4600	1/4(2)	115V-1PH-60Hz	5.0	1725	NEMA 48	NONE	A-6883
AC-120-3	83-0703	4600	1/4(2)	230V-1PH-60Hz	2.5	1725	NEMA 48	NONE	A-6884
AC-120-4	83-0704	4600	1/4(2)	230V-3PH-60Hz	1.3	1725	NEMA 48	NONE	A-6885
AC-120-5	83-0705	4600	1/4(2)	460V-3PH-60Hz	.65	1725	NEMA 48	NONE	A-6886

Published electrical ratings are approximate, and may vary because of motor brand. Actual ratings are on motor.

This drawing is the property of **VAN AIR SYSTEMS INC** and is subject to return upon request. It shall not be copied or duplicated in any manner and shall not be submitted to outside parties for examination without the consent of Van Air Systems Inc. It shall be used for reference to work under contract or proposals submitted by Van Air Systems Inc. only.

AFTERCOOLER
 MODELS AC-120 (ALL VOLTAGES)

DRWN BY: jAc	DATE: 06-05-95	DRWG No. SD-13121	REV A
CHECKED:	SCALE: ----		

APPL: **VAN AIR SYSTEMS INC**
 Lake City, PA 16423 (814)774-2631 Fax: 814/774-3482