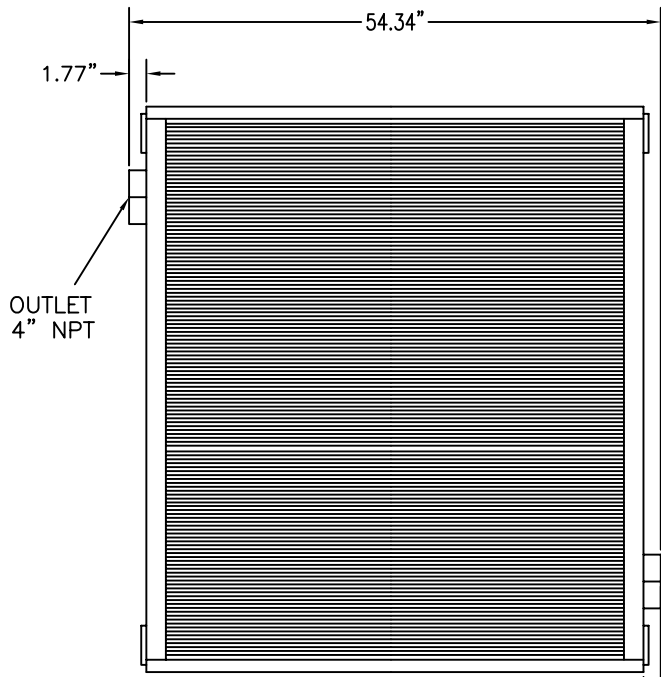
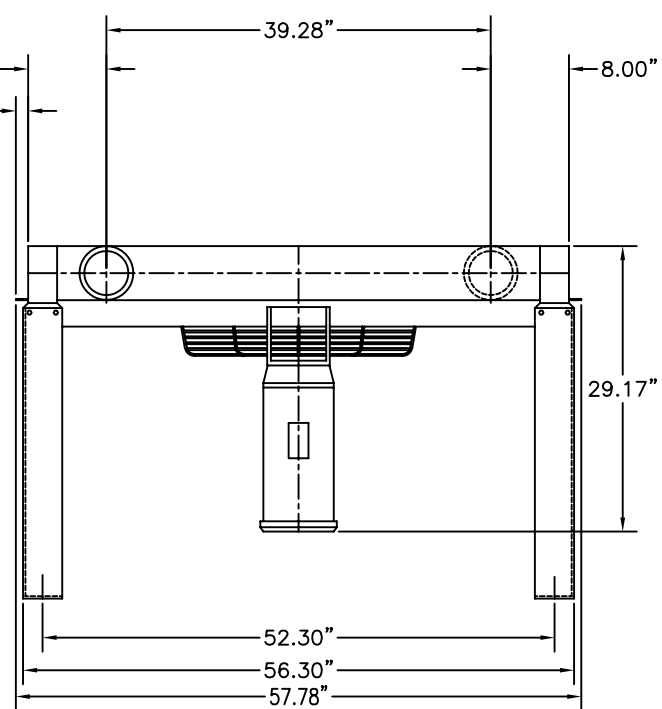
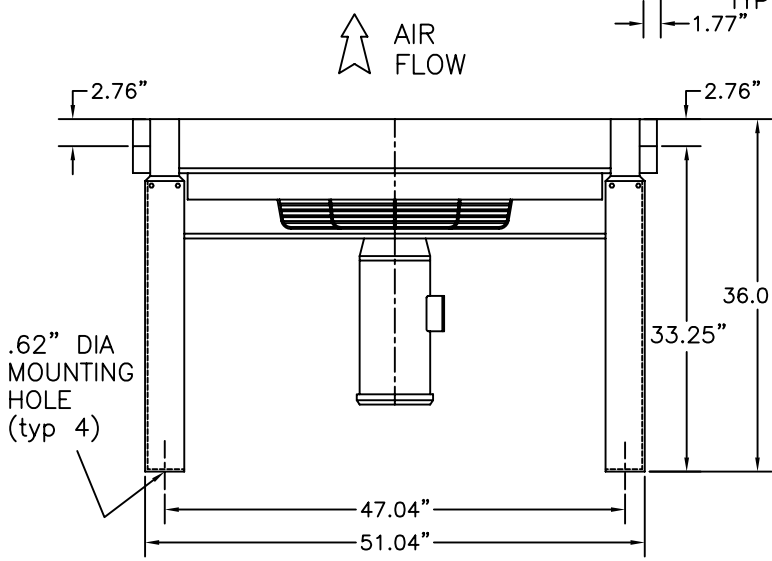


APP'L	DATE	LVL	REVISION
	8-8-95	A	ECN: N0666
	1-10-96	B	ECN: N0691



- NOTES
1. Maximum Working Pressure: 250 PSIG
  2. Maximum Working Temperature: 350°F
  3. Materials of Construction:  
 Core- Aluminum  
 Fan- Aluminum hub, Polypropylene blades  
 Motor- TEFC  
 Legs & Fan Guard- Steel with baked enamel finish
  4. Unit shipped with legs not installed
  5. Unit shipping weight: 750 LBS



CAPACITY MAX. SCFM @ 5, 10, 15 and 20°F Approach - Based on 80 to 125 PSIG

INLET TEMP. °F	150				200				250				300				350			
	5	10	15	20	5	10	15	20	5	10	15	20	5	10	15	20	5	10	15	20
MODEL																				
AC-220	1680	3064	4140	4800	1530	2785	3760	4320	1460	2660	3500	4015	1150	2090	2760	3200	950	1740	2350	2700

Maximum pressure drop, less than 3 PSI.

ELECTRIC MOTOR AND FAN DATA

MODEL	PART NO	FAN CFM	MOTOR H.P.	VOLTAGE	FULL LOAD AMPS	RPM	NEMA FRAME	THERMAL OVERLOAD	WIRING DIAGRAM
AC-220-7	83-0732	17500	10.0	230/460V-3PH-60Hz	24.8/12.4	1740	215TC	NONE	A-6888

Published electrical ratings are approximate, and may vary because of motor brand. Actual ratings are on motor nameplate. Fan motors MUST NOT be cycled. Outdoor applications must be protected from direct weather. If ductwork or additional static resistance is added to the cooler airstream, an auxiliary air mover may be required.

This drawing is the property of **VAN AIR SYSTEMS INC** and is subject to return upon request. It shall not be copied or duplicated in any manner and shall not be submitted to outside parties for examination without the consent of Van Air Systems Inc. It shall be used for reference to work under contract or proposals submitted by Van Air Systems Inc. only.

**AFTERCOOLER**  
**MODELS AC-220 (ELECTRIC)**

DRWN BY: jAc	DATE: 06-06-95	DRWG No. SD-13131	REV B
CHECKED:	SCALE: ----		

APPL: **VAN AIR SYSTEMS INC**  
 Lake City, PA 16423 (814)774-2631 Fax: 814/774-3482