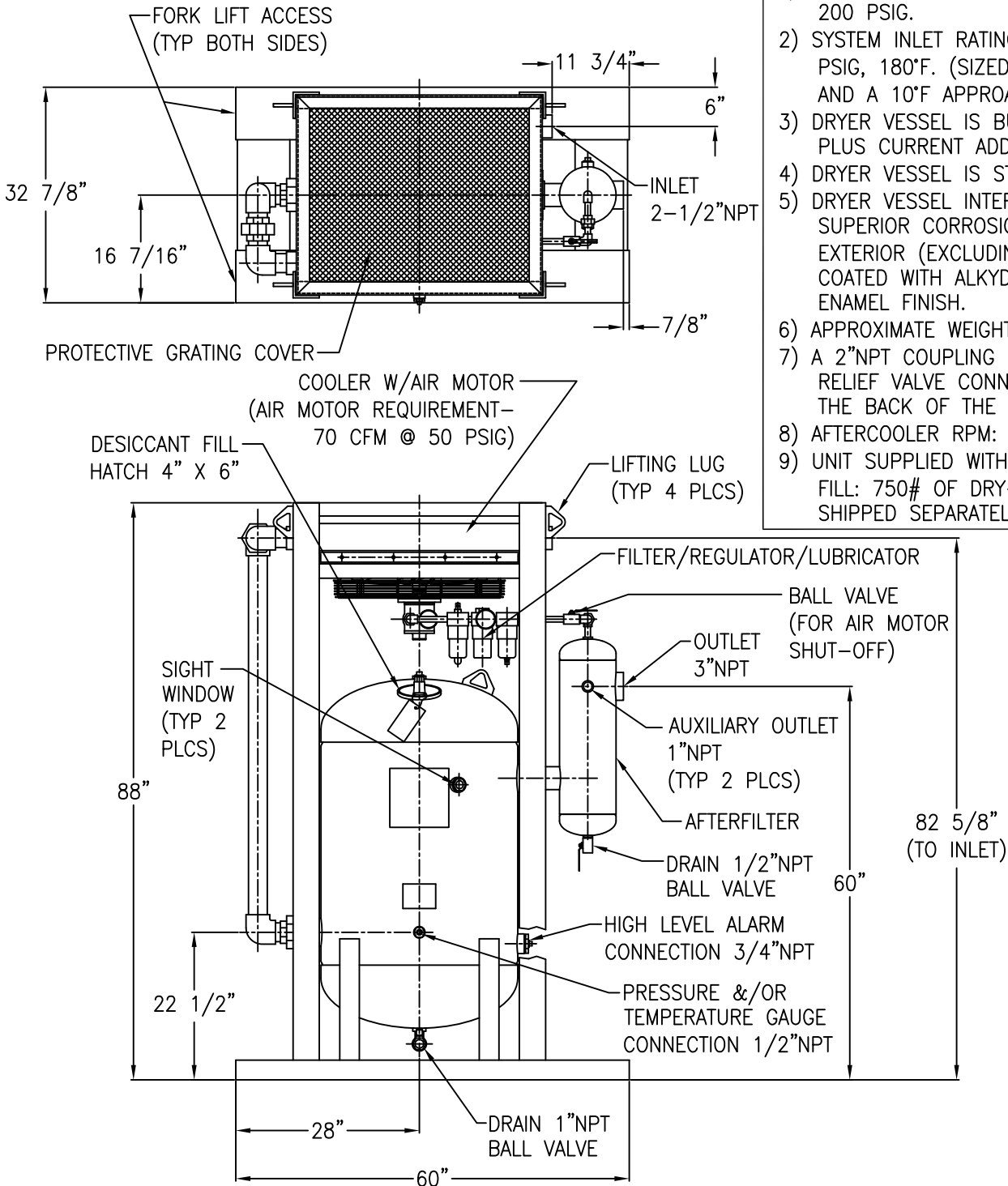


APP'L	DATE	LVL	ECN
DK	10-3-06	A	800
	04-11-12	B	NO1440

NOTES:

- 1) SYSTEM MAXIMUM WORKING PRESSURE: 200 PSIG.
- 2) SYSTEM INLET RATING: 1200 SCFM @ 100 PSIG, 180°F. (SIZED FOR 90°F AMBIENT, AND A 10°F APPROACH).
- 3) DRYER VESSEL IS BUILT TO ASME CODE PLUS CURRENT ADDENDA.
- 4) DRYER VESSEL IS STAMPED: "U" SYMBOL.
- 5) DRYER VESSEL INTERIOR IS COATED FOR SUPERIOR CORROSION RESISTANCE. SYSTEM EXTERIOR (EXCLUDING COOLER CORE) IS COATED WITH ALKYD PRIMER AND WHITE ENAMEL FINISH.
- 6) APPROXIMATE WEIGHT OF UNIT: 1525 LBS.
- 7) A 2"NPT COUPLING FOR A PRESSURE RELIEF VALVE CONNECTION, IS LOCATED ON THE BACK OF THE DRYER VESSEL.
- 8) AFTERCOOLER RPM: 1725.
- 9) UNIT SUPPLIED WITH INITIAL DESICCANT FILL: 750# OF DRY-O-LITE (15 BAGS) SHIPPED SEPARATELY.



PT #80-1416

THIS DRAWING IS THE PROPERTY OF

VAN AIR INC.

AND IS SUBJECT TO RETURN UPON REQUEST. IT SHALL NOT BE COPIED OR DUPLICATED IN ANY MANNER AND SHALL NOT BE SUBMITTED TO OUTSIDE PARTIES FOR EXAMINATION WITHOUT THE CONSENT OF VAN AIR INC. IT SHALL BE USED FOR REFERENCE TO WORK UNDER CONTRACT OR PROPOSALS SUBMITTED BY VAN AIR INC. ONLY.

FREEDOM DRYER PACKAGE

FD-1200

DRWN BY: JMK	DATE: 02-16-05	DRWG No.	REV
CHECKED: DK	SCALE: NONE	SD-14139	B
APP'L: DK	VAN AIR SYSTEMS		