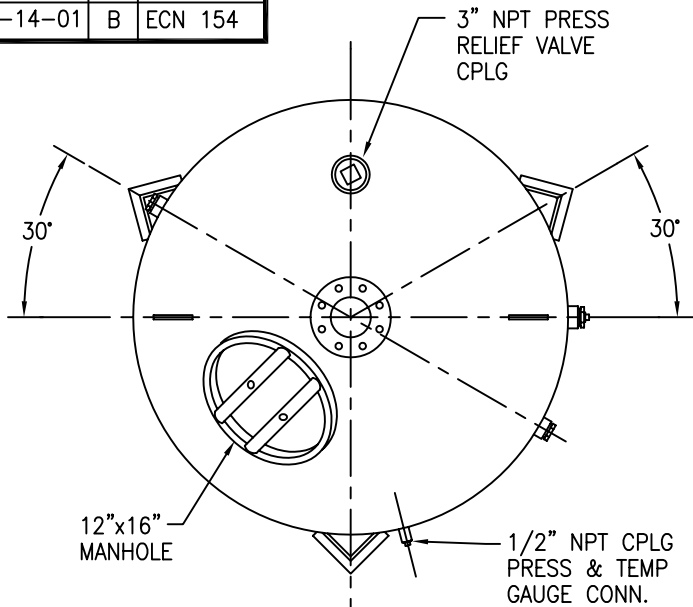
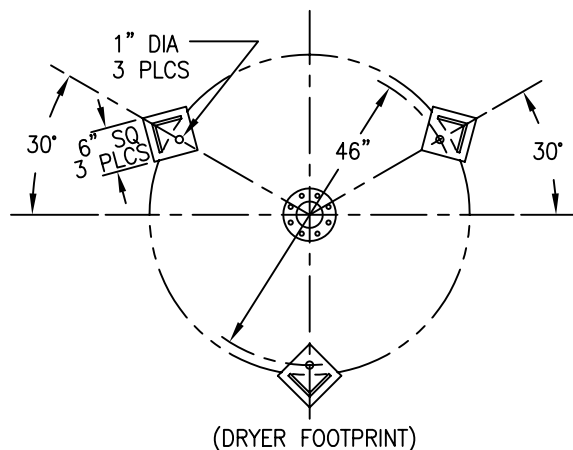
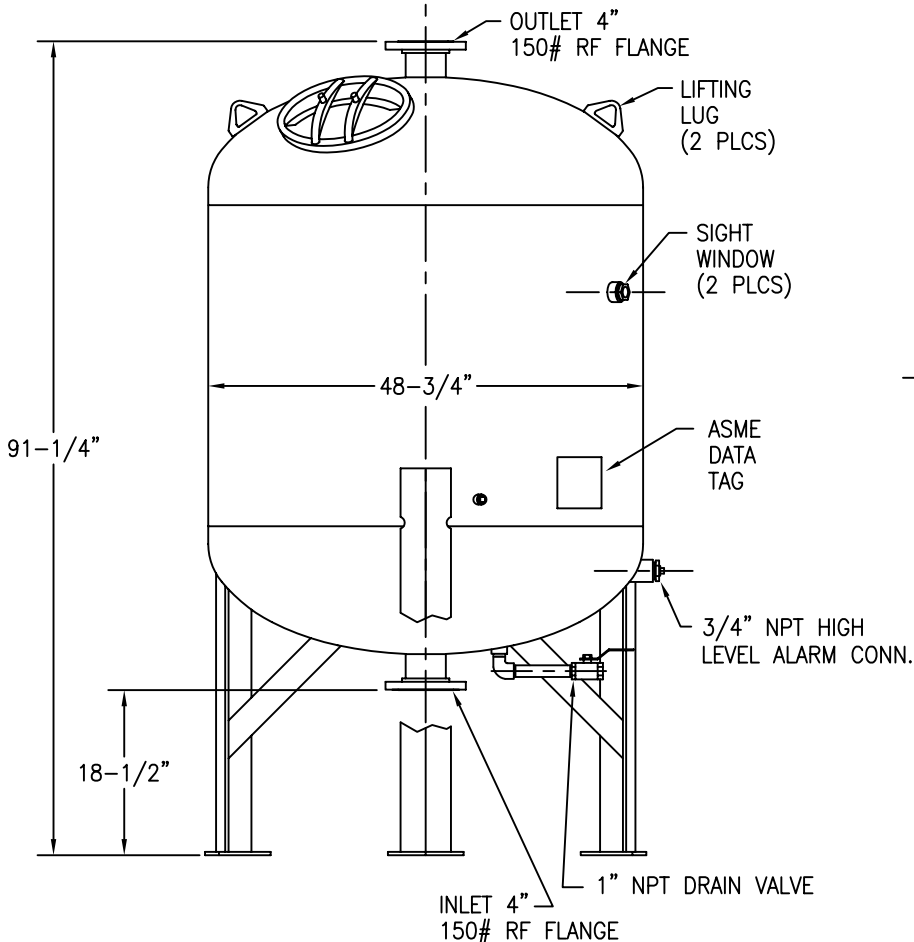


APP'L	DATE	LVL	REVISION
DK	5-5-93	A	ECN 5199
	3-14-01	B	ECN 154



- NOTES**
- 1) MAXIMUM WORKING PRESSURE: 150 PSIG.
  - 2) BUILT TO ASME CODE PLUS CURRENT ADDENDA.
  - 3) VESSEL STAMPED "U" SYMBOL.
  - 4) TEMPERATURE: -20°F TO 300°F.
  - 5) APPROXIMATE WEIGHT EMPTY: 2,150 LBS.
  - 6) APPROXIMATE WEIGHT FULL: 4,515 LBS.
  - 7) CAPACITY: 438.5 GALLONS.
  - 8) VOLUME: 58.6 CU.FT.
  - 9) INTERIOR PAINT: EPOXY PRIMER, GREY POLYURETHANE FINISH.
  - 10) EXTERIOR PAINT: WHITE ENAMEL FINISH.
  - 11) FLANGE BOLT HOLES TO STRADDLE CENTERLINES.

**OPTIONAL EQUIPMENT**  
 PRESSURE & TEMPERATURE  
 GAUGE KIT.  
 HIGH LEVEL ALARM KIT.  
 PRESSURE GAUGE KIT.  
 TEMPERATURE GAUGE KIT.



P/N 80-0012

This drawing is the property of

**VAN AIR SYSTEMS INC**

and is subject to return upon request. It shall not be copied or duplicated in any manner and shall not be submitted to outside parties for examination without the consent of Van Air Systems Inc. It shall be used for reference to work under contract or proposals submitted by Van Air Systems Inc. only.

**DELIQUESCENT DRYER  
 D48**

DRWN BY: MJM	DATE: 5-5-93	DRWG No.	REV B
CHECKED:	SCALE: NONE	SD-11653	

APPL: **VAN AIR SYSTEMS INC**

Lake City, PA 16423 (814)774-2631 Fax: 814/774-3482 Telex: 91-4548