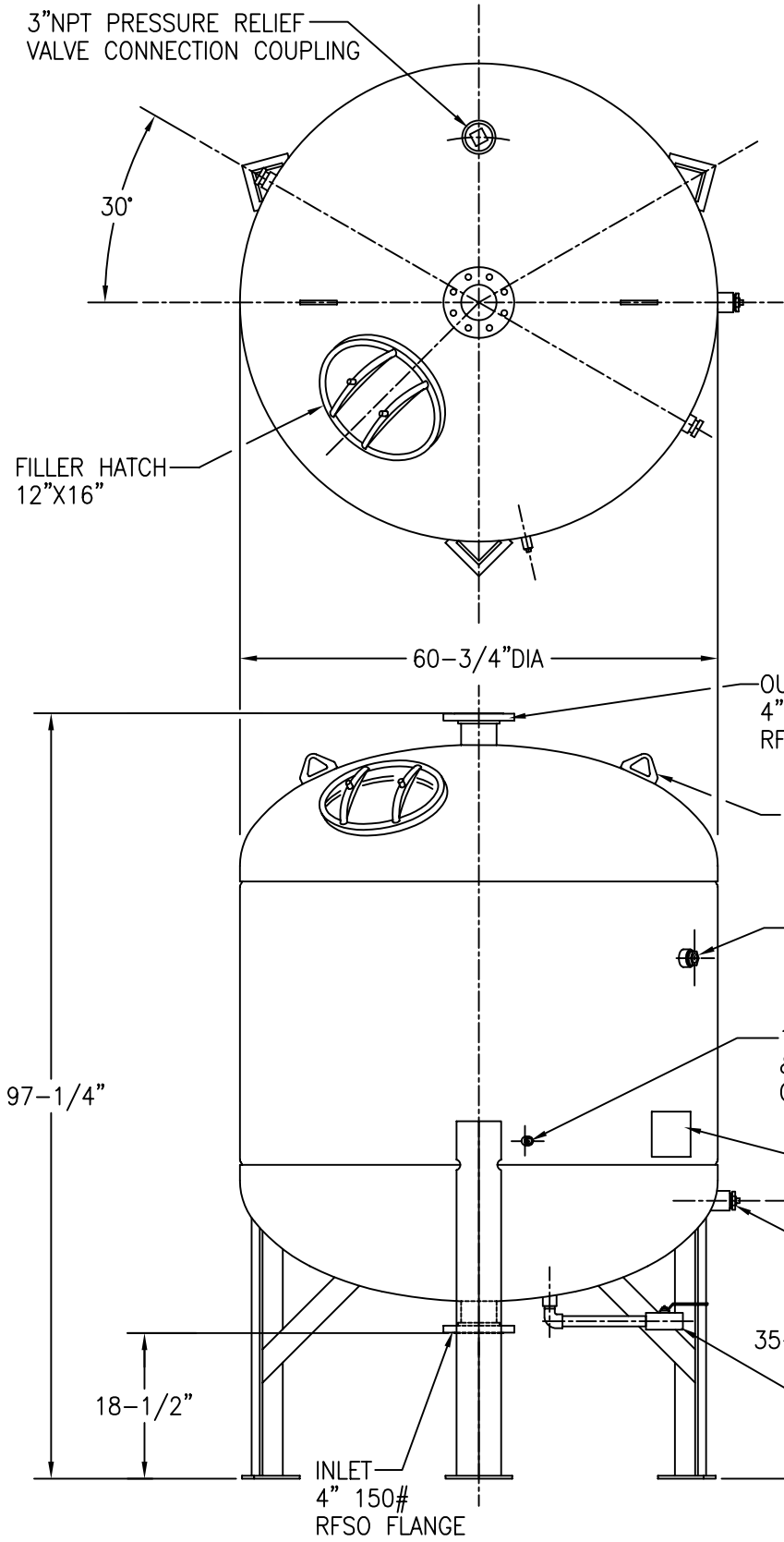
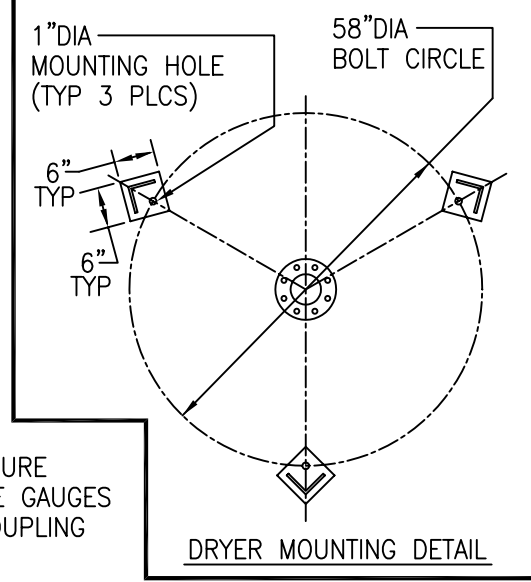


APP'L	DATE	LVL	REVISION
DK	05-12-93	A	ECN: 5200
SCF	03-14-01	B	ECN: 156
	01-03-08	C	ECN: 882



- NOTES:**
- 1) MAXIMUM WORKING PRESSURE: 150 PSIG.
 - 2) BUILT TO ASME CODE PLUS CURRENT ADDENDA.
 - 3) VESSEL STAMPED "U" SYMBOL.
 - 4) APPROXIMATE WEIGHT OF UNIT (EMPTY): 2850 LBS.
 - 5) TEMPERATURE: -20°F TO 300°F.
 - 6) CAPACITY: 734.17 GALLONS.
 - 7) VOLUME: 98.16 CUBIC FEET.
 - 8) ALL FLANGE BOLT HOLES STRADDLE CENTERLINES.
 - 9) OPTIONAL EQUIPMENT:
 PRESSURE GAUGE KIT
 TEMPERATURE GAUGE KIT
 PRESSURE & TEMPERATURE GAUGES KIT
 HIGH LEVEL ALARM



PT #80-0014

This drawing is the property of **VAN AIR SYSTEMS INC** and is subject to return upon request. It shall not be copied or duplicated in any manner and shall not be submitted to outside parties for examination without the consent of Van Air Systems Inc. It shall be used for reference to work under contract or proposals submitted by Van Air Systems Inc. only.

DELIQUESCENT DRYER
D-60

DRWN BY: JMR	DATE: 5-13-93	DRWG No. SD-11655	REV C
CHECKED:	SCALE: NONE		

APPL: **VAN AIR SYSTEMS INC**
 Lake City, PA 16423 (814)774-2631 Fax: 814/774-3482 Telex: 91-4548