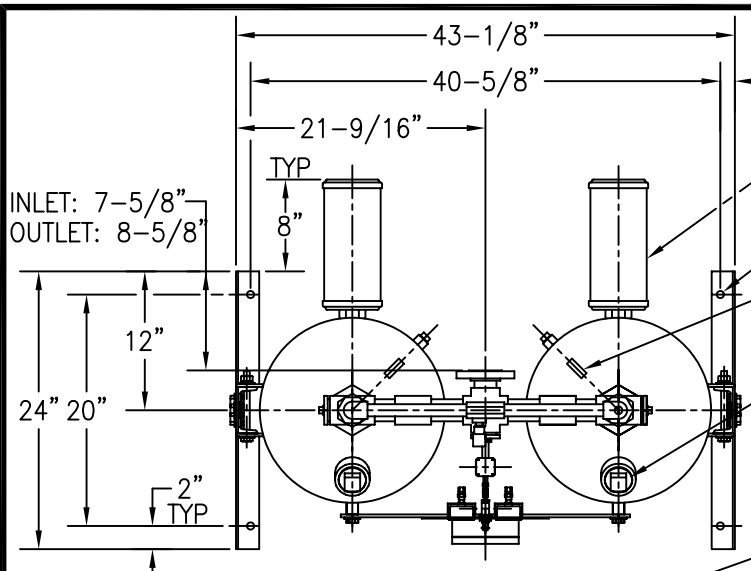
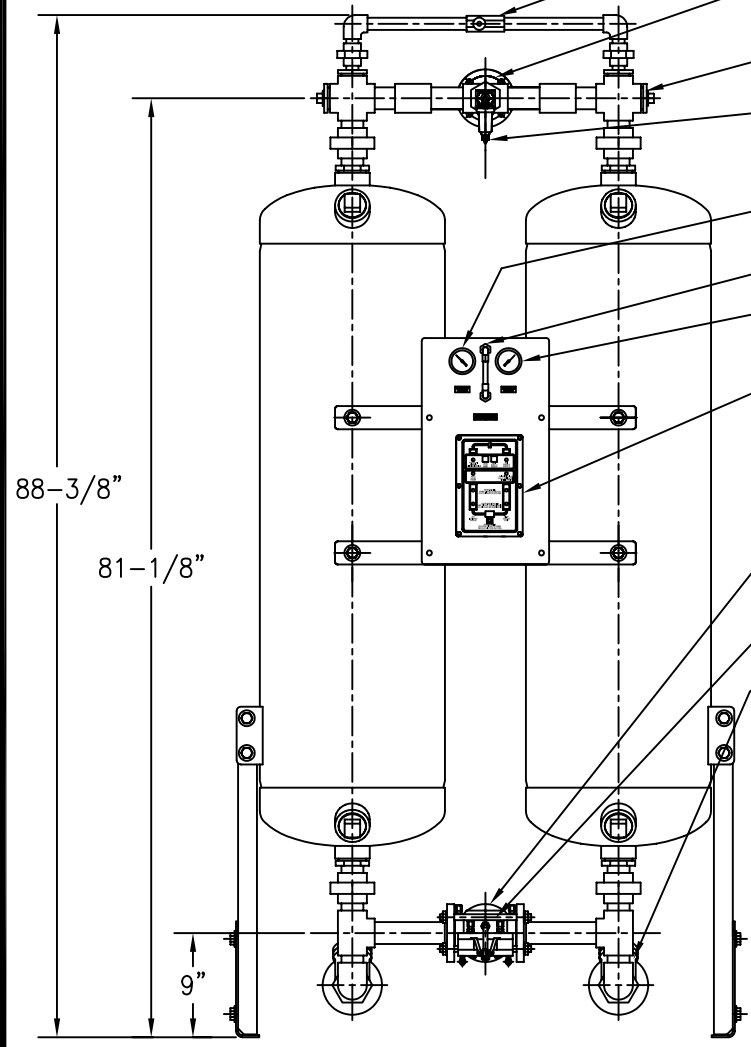


APP'L	DATE	LVL	REVISION



- 1-1/4" TYP MUFFLER (TYP 2 PLCS)
- 5/8" DIA HOLE (TYP 4 PLCS)
- LIFTING LUG (1 PER TOWER)
- DESICCANT FILL PORT (TOP HEAD) 2" NPT COUPLING
- DESICCANT DRAIN PORT (BOTTOM HEAD) 2" NPT COUPLING (TYP EACH TOWER)



- ADJUSTABLE PURGE VALVE
- OUTLET 1-1/2" 150# RF FLANGE
- 1" NPT CONNECTION FOR OPTIONAL PRESSURE RELIEF VALVE (TYP 2 PLCS)
- CONTROL AIR FILTER
- LEFT TOWER PRESSURE GAUGE
- MOISTURE INDICATOR
- RIGHT TOWER PRESSURE GAUGE
- STANDARD NEMA 4 CONTROL BOX
- INLET 1-1/2" 150# RF FLANGE
- INLET TRANSFER VALVE
- PURGE EXHAUST VALVE (TYP 2 PLCS)

- NOTES:**
- 1) FLANGE BOLT HOLES STRADDLE CENTERLINES.
 - 2) VESSELS BUILT TO ASME CODE PLUS CURRENT ADDENDA.
 - 3) VESSELS ARE STAMPED WITH "U" SYMBOL.
 - 4) DRYER AMBIENT OPERATING TEMP. RANGE: 40°F TO 120°F.
 - 5) DRYER OPERATING PRESSURE RANGE: 60 TO 150 PSIG.
 - 6) DRYER INLET OPERATING TEMP. RANGE: 40°F TO 120°F.
 - 7) DRYER RATED FLOW: 375 SCFM @ 100 PSIG, 100°F.
 - 8) AMOUNT OF DESICCANT: 406 LBS (203 LBS PER TOWER).
 - 9) APPROXIMATE WEIGHT OF UNIT: 610 LBS.(W/O DESICCANT)
 - 10) ELECTRICAL REQUIREMENTS: 115V/1PH/60HZ, .3 AMP.

This drawing is the property of **VAN AIR SYSTEMS INC** and is subject to return upon request. It shall not be copied or duplicated in any manner and shall not be submitted to outside parties for examination without the consent of Van Air Systems Inc. It shall be used for reference to work under contract or proposals submitted by Van Air Systems Inc. only.

HEATLESS REGENERATIVE DRYER HL-375

DRWN BY: TEK	DATE: 04-07-98	DRWG No. SD-13561	REV
CHECKED:	SCALE: NONE		

APPL: **VAN AIR SYSTEMS INC**
 Lake City, PA 16423 (814)774-2631 Fax: 814/774-3482 Telex: 91-4548