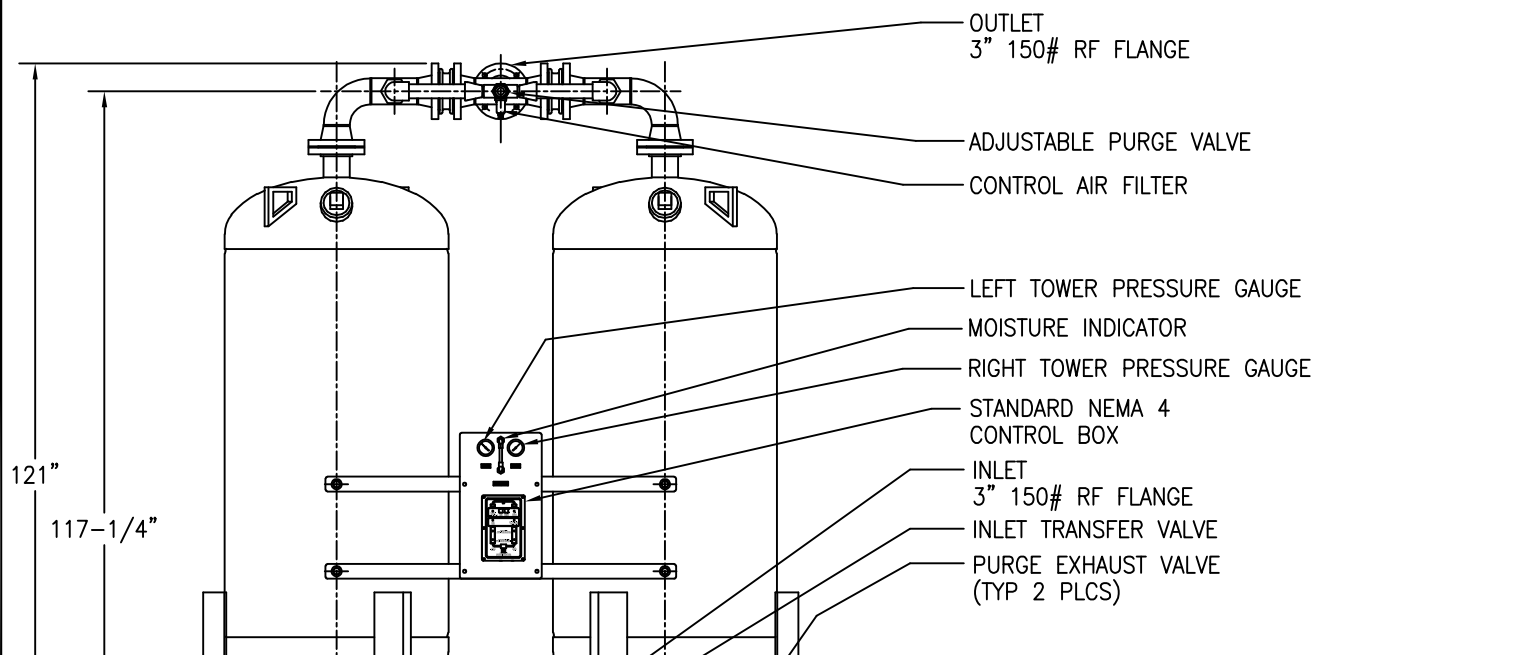
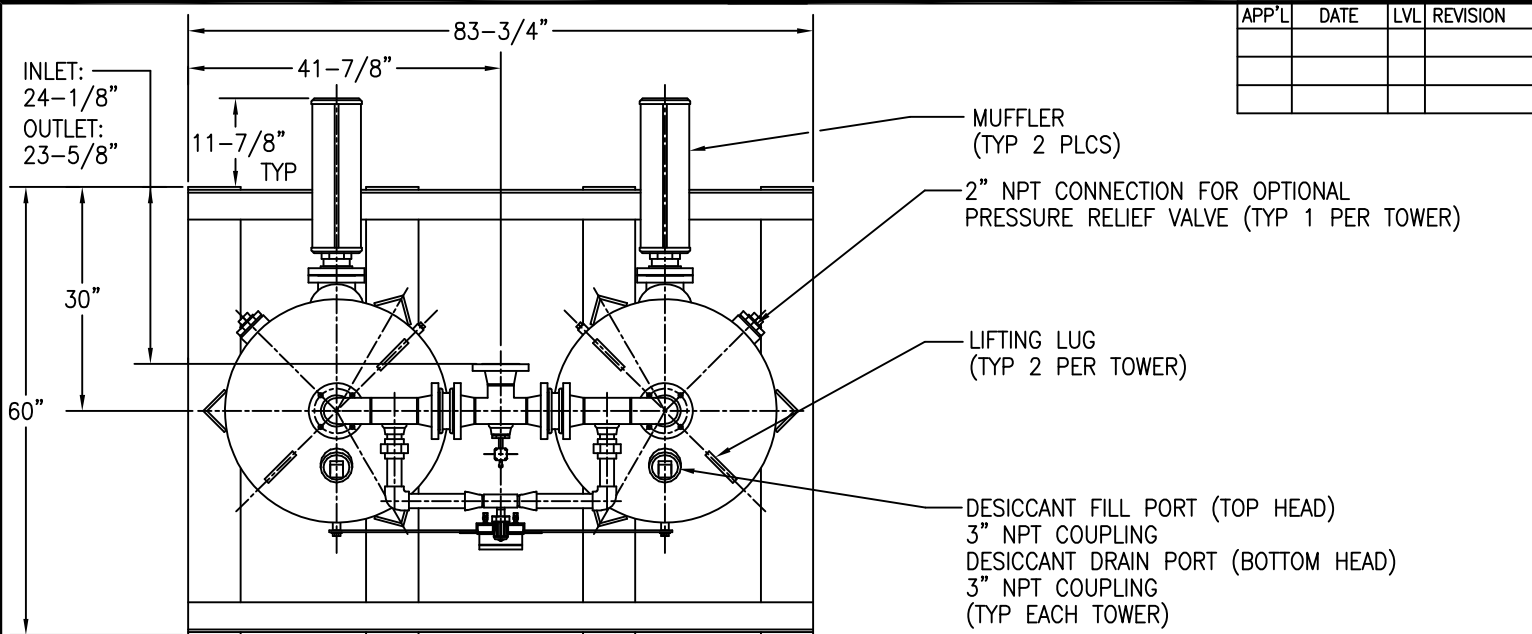


APP'L	DATE	LVL	REVISION



- NOTES:**
- 1) FLANGE BOLT HOLES STRADDLE CENTERLINES.
  - 2) VESSELS BUILT TO ASME CODE PLUS CURRENT ADDENDA.
  - 3) VESSELS ARE STAMPED WITH "U" SYMBOL.
  - 4) DRYER AMBIENT OPERATING TEMP. RANGE: 40°F TO 120°F.
  - 5) DRYER OPERATING PRESSURE RANGE: 60 TO 150 PSIG.
  - 6) DRYER INLET OPERATING TEMP. RANGE: 40°F TO 120°F.
  - 7) DRYER RATED FLOW: 2000 SCFM @ 100 PSIG, 100°F.
  - 8) AMOUNT OF DESICCANT: 2238 LBS (1119 LBS PER TOWER).
  - 9) APPROXIMATE WEIGHT OF UNIT: 2120 LBS.(W/O DESICCANT)
  - 10) ELECTRICAL REQUIREMENTS: 115V/1PH/60HZ, .3 AMP.

This drawing is the property of **VAN AIR SYSTEMS INC** and is subject to return upon request. It shall not be copied or duplicated in any manner and shall not be submitted to outside parties for examination without the consent of Van Air Systems Inc. It shall be used for reference to work under contract or proposals submitted by Van Air Systems Inc. only.

## HEATLESS REGENERATIVE DRYER HL-2000

DRWN BY: TEK	DATE: 04-08-98	DRWG No.	REV
CHECKED:	SCALE: NONE	SD-13569	

APPL: **VAN AIR SYSTEMS INC**

Lake City, PA 16423 (814)774-2631 Fax: 814/774-3482 Telex: 91-4548