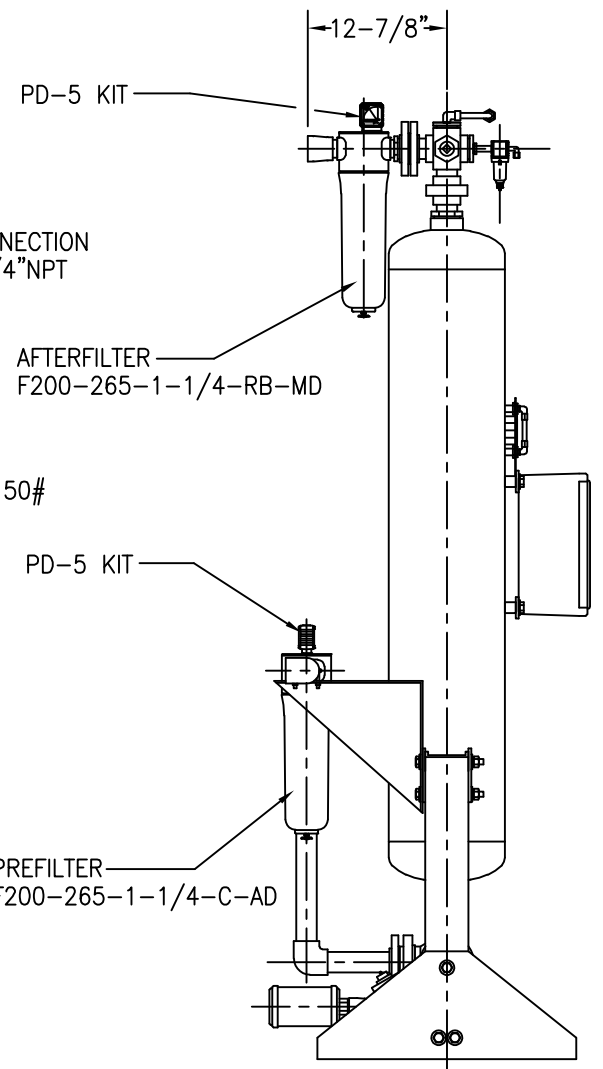
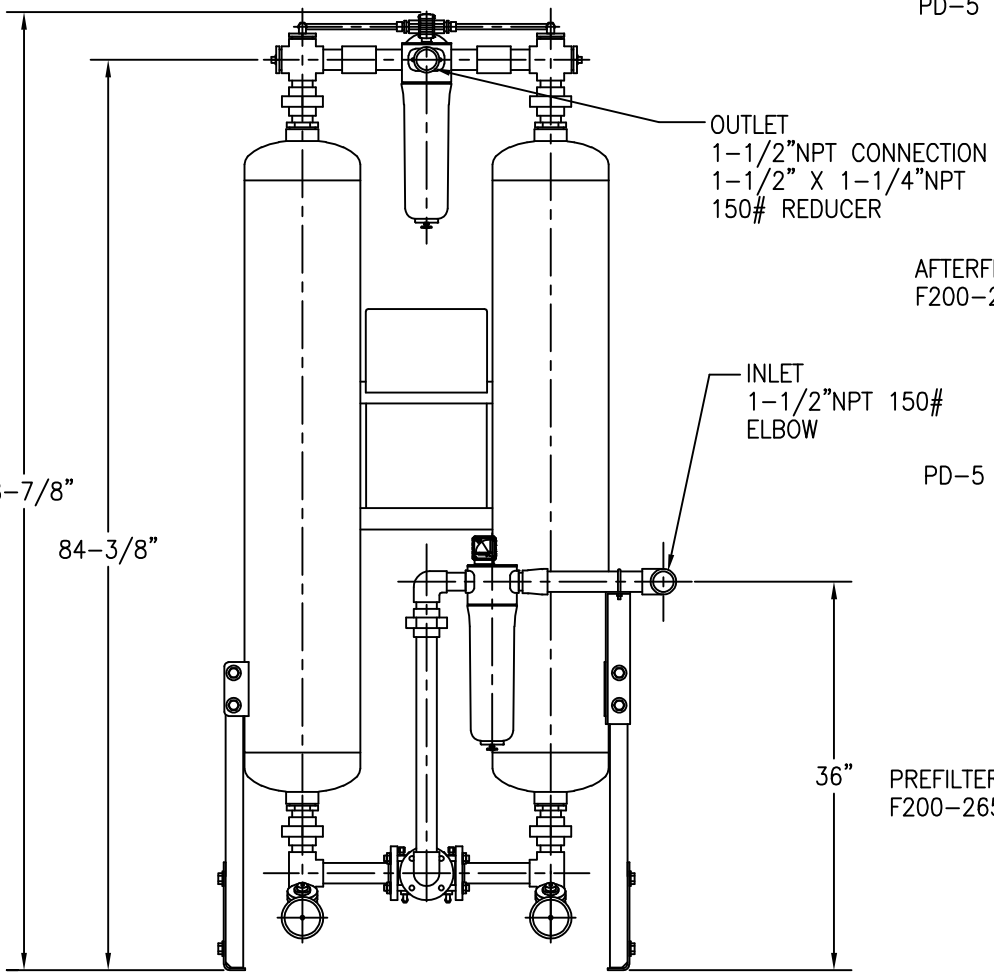
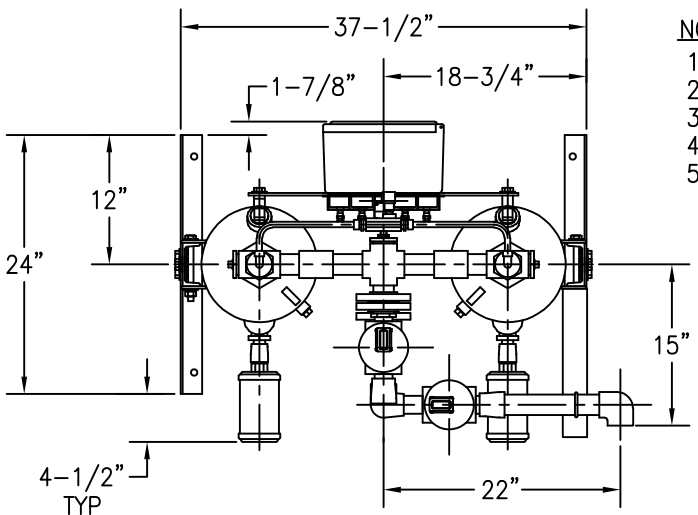


NOTES:

- 1) SYSTEM AMBIENT OPERATING TEMPERATURE RANGE: 40°F TO 120°F.
- 2) SYSTEM OPERATING PRESSURE RANGE: 60PSIG TO 150 PSIG.
- 3) SYSTEM INLET OPERATING TEMPERATURE RANGE: 40°F TO 120°F.
- 4) SYSTEM RATED FLOW: 250 SCFM @ 100PSIG, 100°F.
- 5) APPROXIMATE WEIGHT OF UNIT: 520 LBS (WITHOUT DESICCANT).
: 780 LBS (WITH DESICCANT).



APPL	DATE	LVL	REVISION
SCF	02-01-96	A	ECN:5446
SCF	06-28-96	B	ECN:10714
04-08-98		C	ECN:10829

This drawing is the property of **VAN AIR SYSTEMS INC** and is subject to return upon request. It shall not be copied or duplicated in any manner and shall not be submitted to outside parties for examination without the consent of Van Air Systems Inc. It shall be used for reference to work under contract or proposals submitted by Van Air Systems Inc. only.

HEATLESS REGENERATIVE DRYER HL-250 WITH MOUNTED FILTERS

DRWN BY: JPK	DATE: 03-21-95	DRWG No.:	SD-13082	REV
CHECKED:	SCALE: NONE			C

APPL: **VAN AIR SYSTEMS INC**
Lake City, PA 16423 (814)774-2631 Fax: 814/774-3482 Telex: 91-4548