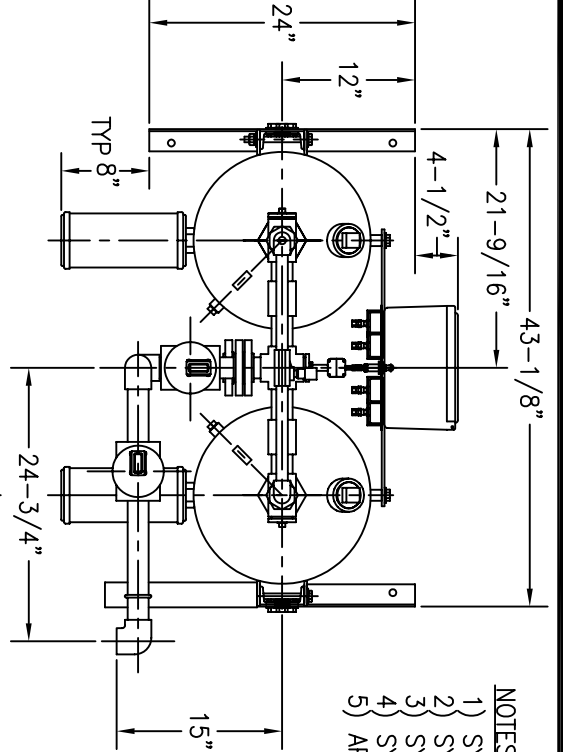


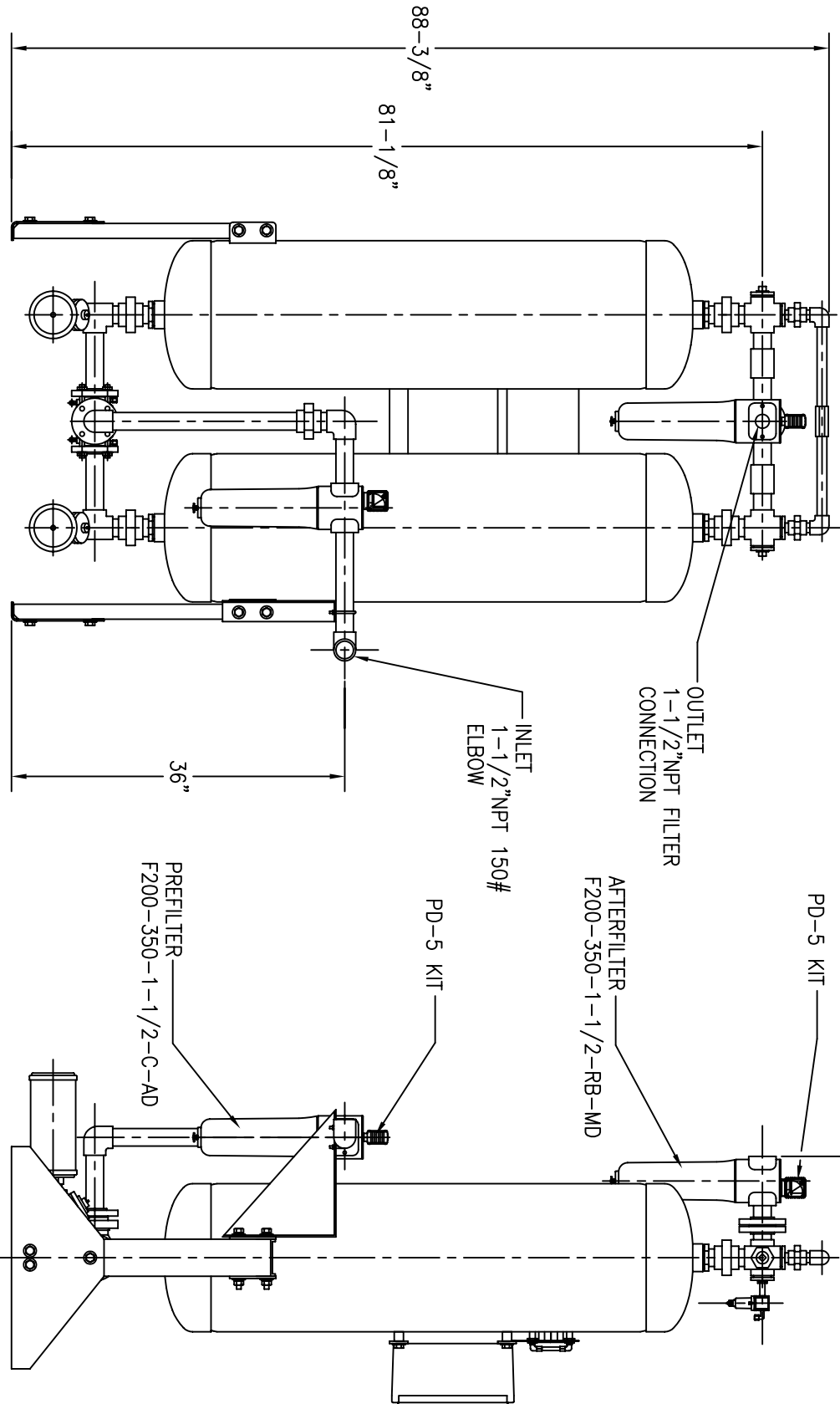
This drawing is the property of VAN AIR SYSTEMS INC and is subject to return upon request. It shall not be copied or duplicated in any manner and shall not be submitted to outside parties for examination without the consent of Van Air Systems Inc. It shall be used for reference to work under contract or proposals submitted by Van Air Systems Inc. only.

APPL	DATE	LVL	REVISION
SCF	02-01-96	A	ECN:5447
SCF	06-28-96	B	ECN:N0716
SCF	04-09-98	C	ECN:N0829



- NOTES:
- 1) SYSTEM AMBIENT OPERATING TEMPERATURE RANGE: 40°F TO 120°F.
 - 2) SYSTEM OPERATING PRESSURE RANGE: 60 PSIG TO 150 PSIG.
 - 3) SYSTEM INLET OPERATING TEMPERATURE RANGE: 40°F TO 120°F.
 - 4) SYSTEM RATED FLOW: 375 SCFM @ 100 PSIG, 100°F.
 - 5) APPROXIMATE WEIGHT OF UNIT: 695 LBS (WITHOUT DESICCANT).
: 1100 LBS (WITH DESICCANT).

HEATLESS REGENERATIVE DRYER HL-375 WITH MOUNTED FILTERS



DRWN BY: JMK	DATE: 03-28-95	DRWG No.	SD-13084
CHECKED:	SCALE: NONE	REV	C

APPL: VAN AIR SYSTEMS INC
 Lake City, PA 16423 (814)774-2631 Fax: 814/774-3482 Telex: 91-4548