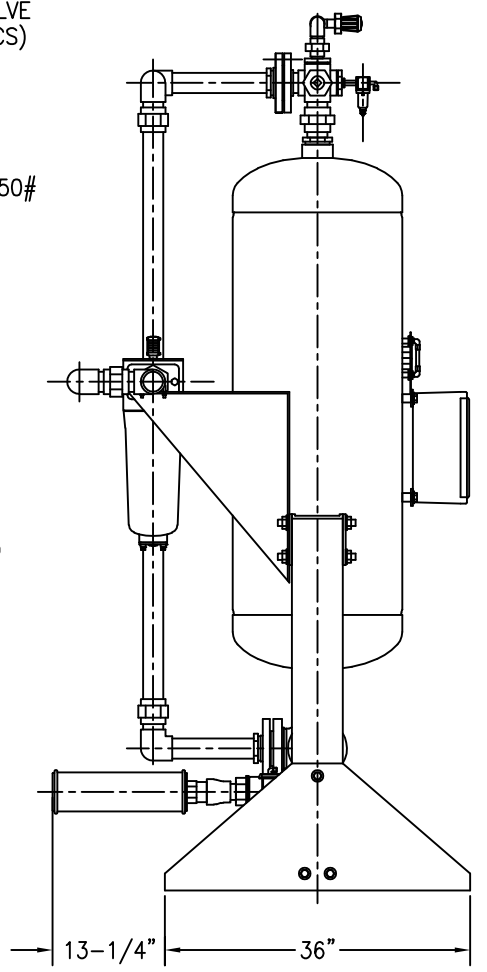
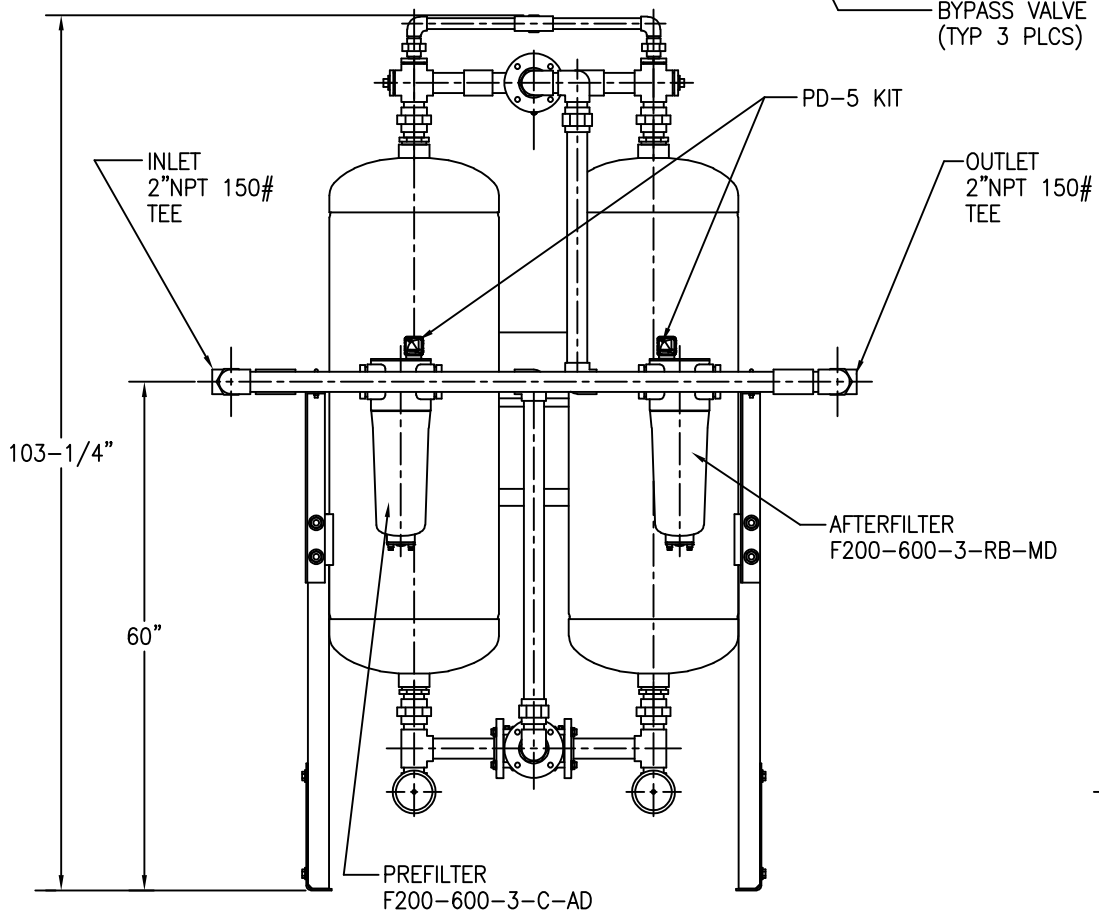
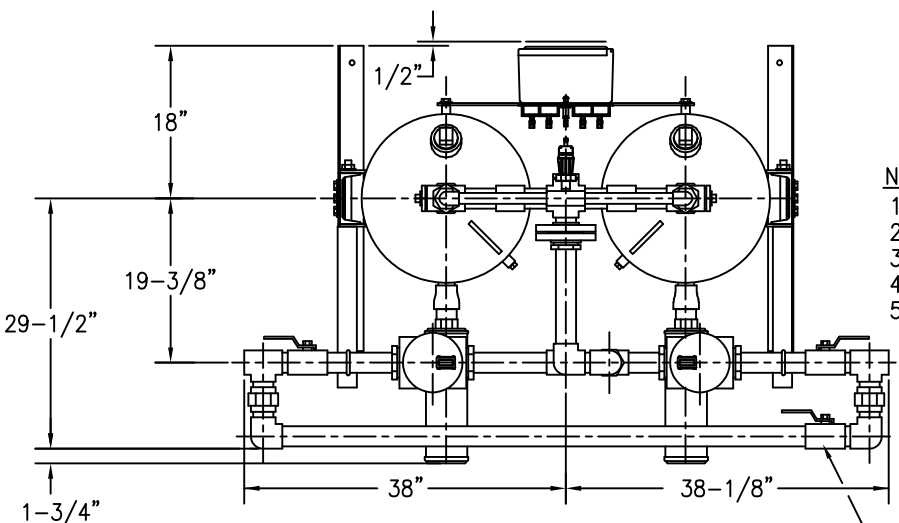


APP'L	DATE	LVL	REVISION
SCF	02-01-96	A	ECN:5449
SCF	06-28-96	B	ECN:NO721
SCF	04-09-98	C	ECN:NO829
	10-10-02	D	ECN: 274

NOTES:

- 1) SYSTEM AMBIENT OPERATING TEMPERATURE RANGE: 40°F TO 120°F.
- 2) SYSTEM OPERATING PRESSURE RANGE: 60 PSIG TO 150 PSIG.
- 3) SYSTEM INLET OPERATING TEMPERATURE RANGE: 40°F TO 120°F.
- 4) SYSTEM RATED FLOW: 650 SCFM @ 100 PSIG, 100°F.
- 5) APPROXIMATE WEIGHT OF UNIT: 1165 LBS (WITHOUT DESICCANT)
: 1900 LBS (WITH DESICCANT).



This drawing is the property of **VAN AIR SYSTEMS INC** and is subject to return upon request. It shall not be copied or duplicated in any manner and shall not be submitted to outside parties for examination without the consent of Van Air Systems Inc. It shall be used for reference to work under contract or proposals submitted by Van Air Systems Inc. only.

HEATLESS REGENERATIVE DRYER HL-650 WITH MOUNTED FILTERS AND 3 VALVE BYPASS

APPL:	DRWN BY: JPK	DATE: 05-15-95	DRWG No.	REV
	CHECKED:	SCALE: NONE	SD-13097	D
VAN AIR SYSTEMS INC				
Lake City, PA 16423 (814)774-2631 Fax: 814/774-3482 Tele: 91-4548				