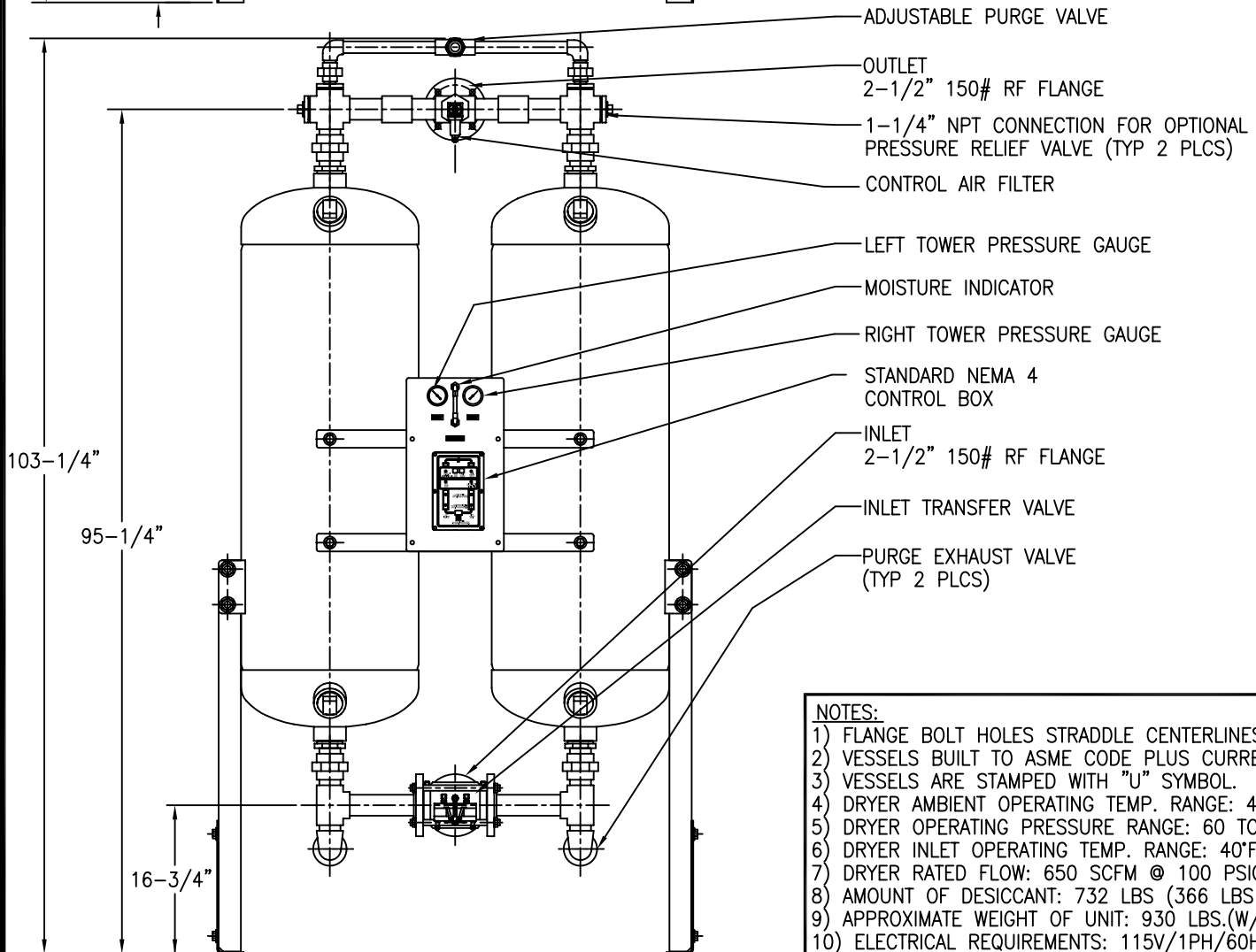
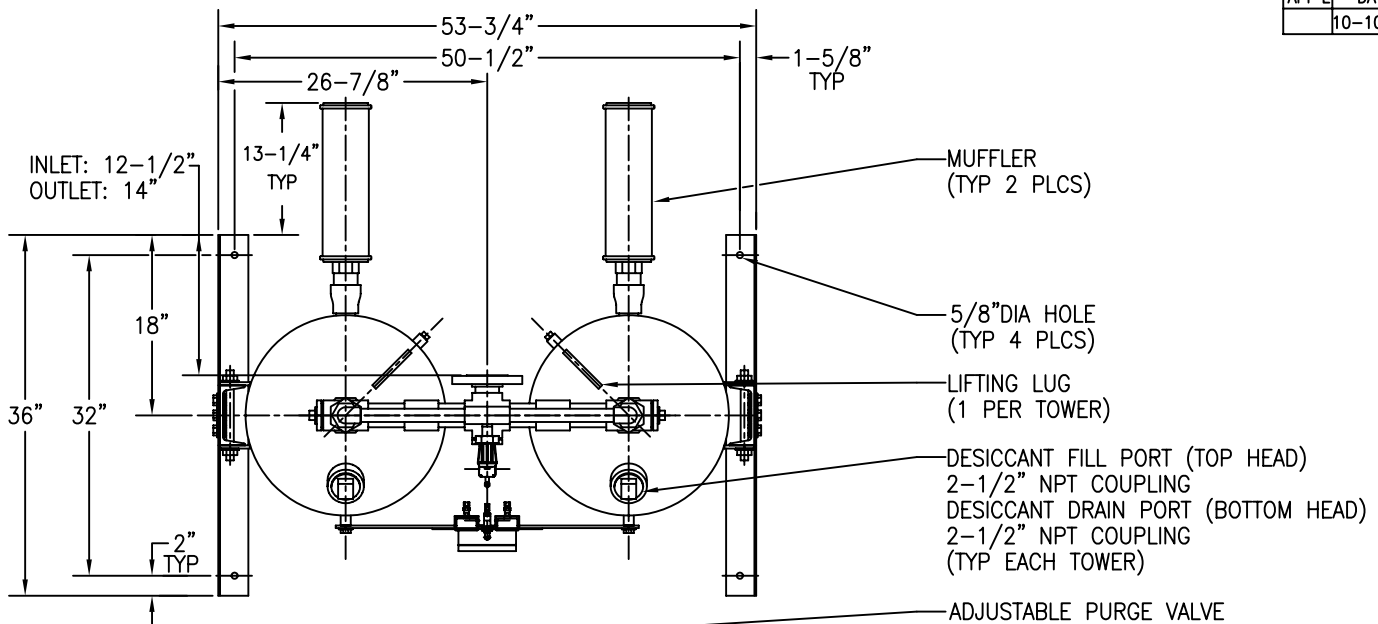


APP'L	DATE	LVL	REVISION
	10-10-02	A	ECN 274



NOTES:

- 1) FLANGE BOLT HOLES STRADDLE CENTERLINES.
- 2) VESSELS BUILT TO ASME CODE PLUS CURRENT ADDENDA.
- 3) VESSELS ARE STAMPED WITH "U" SYMBOL.
- 4) DRYER AMBIENT OPERATING TEMP. RANGE: 40°F TO 120°F.
- 5) DRYER OPERATING PRESSURE RANGE: 60 TO 150 PSIG.
- 6) DRYER INLET OPERATING TEMP. RANGE: 40°F TO 120°F.
- 7) DRYER RATED FLOW: 650 SCFM @ 100 PSIG, 100°F.
- 8) AMOUNT OF DESICCANT: 732 LBS (366 LBS PER TOWER).
- 9) APPROXIMATE WEIGHT OF UNIT: 930 LBS.(W/O DESICCANT)
- 10) ELECTRICAL REQUIREMENTS: 115V/1PH/60HZ, .3 AMP.

This drawing is the property of

VAN AIR SYSTEMS INC

and is subject to return upon request. It shall not be copied or duplicated in any manner and shall not be submitted to outside parties for examination without the consent of Van Air Systems Inc. It shall be used for reference to work under contract or proposals submitted by Van Air Systems Inc. only.

HEATLESS REGENERATIVE DRYER HL-650

DRWN BY: TEK

DATE: 04-08-98

DRWG No.

SD-13563

REV

CHECKED:

SCALE: NONE

A

APPL:

VAN AIR SYSTEMS INC

Lake City, PA 16423 (814)774-2631 Fax: 814/774-3482 Telex: 91-4548