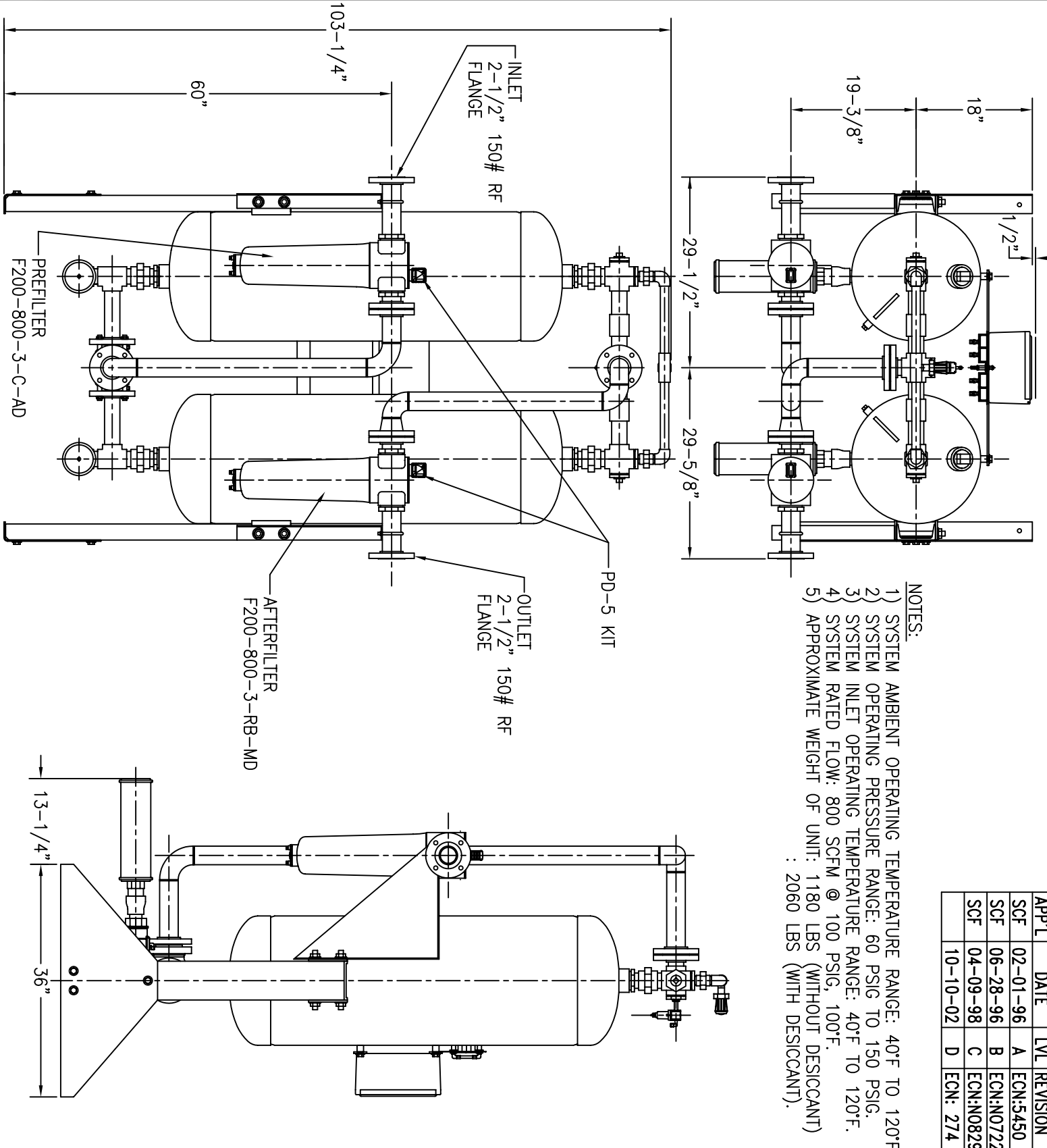


This drawing is the property of VAN AIR SYSTEMS INC and is subject to return upon request. It shall not be copied or duplicated in any manner and shall not be submitted to outside parties for examination without the consent of Van Air Systems Inc. It shall be used for reference to work under contract or proposals submitted by Van Air Systems Inc. only.

VAN AIR SYSTEMS INC

HEATLESS REGENERATIVE DRYER HL-800 WITH MOUNTED FILTERS



- NOTES:**
- 1) SYSTEM AMBIENT OPERATING TEMPERATURE RANGE: 40°F TO 120°F.
 - 2) SYSTEM OPERATING PRESSURE RANGE: 60 PSIG TO 150 PSIG.
 - 3) SYSTEM INLET OPERATING TEMPERATURE RANGE: 40°F TO 120°F.
 - 4) SYSTEM RATED FLOW: 800 SCFM @ 100 PSIG, 100°F.
 - 5) APPROXIMATE WEIGHT OF UNIT: 1180 LBS (WITHOUT DESICCANT) : 2060 LBS (WITH DESICCANT).

APP'L	DATE	LVL	REVISION
SCF	02-01-96	A	ECN:5450
SCF	06-28-96	B	ECN:N0722
SCF	04-09-98	C	ECN:N0829
	10-10-02	D	ECN: 274

APPL:	VAN AIR SYSTEMS INC Lake City, PA 16423 (814)774-2631 Fax:814/774-3482 Telex:91-4548		
CHECKED:	SCALE: NONE	DATE: 05-15-95	DRWN BY: JMK
REV D	SD-13098		