



# INSTALLATION, OPERATION & MAINTENANCE INSTRUCTIONS

## MB-1 THRU MB-3-2

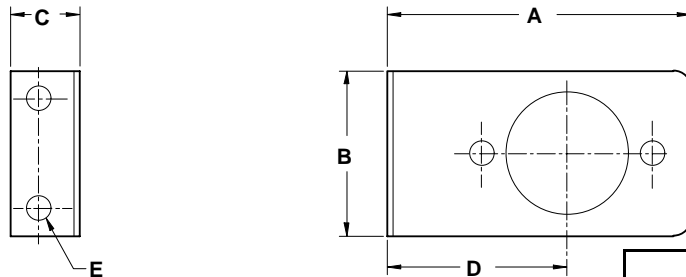
### MOUNTING BRACKET KITS

### FOR F200 SERIES FILTER HOUSINGS

#### PRODUCT PURPOSE & FUNCTION:

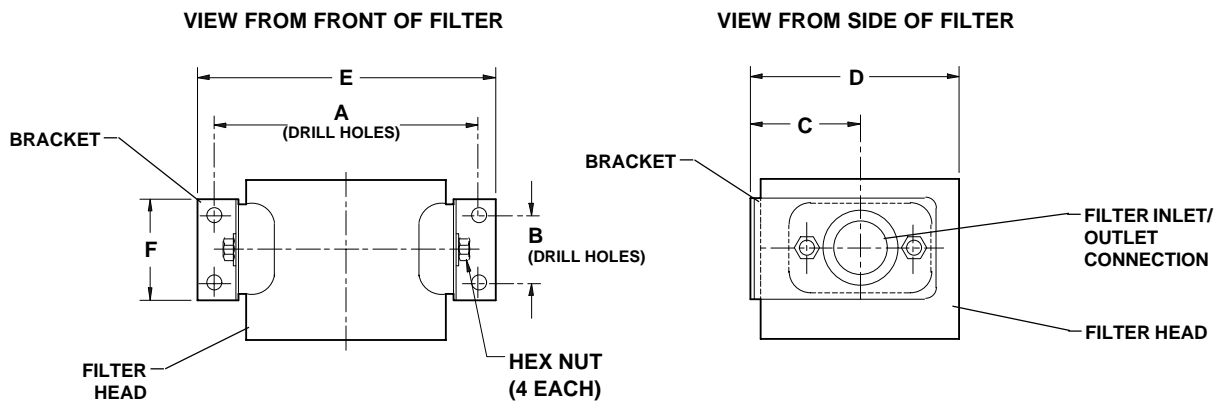
Van Air's Mounting Bracket Kits are designed for wall mounting F200 series filter housings. Brackets and mounting components are made of zinc plated steel or stainless steel for superior corrosion resistance.

**FIGURE 1 MOUNTING BRACKET DIMENSIONS**



MOUNTING BRACKET DIMENSIONS					
TYPE	A	B	C	D	E
MB-1	2-15/16	1-9/16	13/16	1-3/4	1/4
MB-1-2	2-15/16	1-9/16	13/16	1-3/4	1/4
MB-2	4-5/16	2-3/8	1	2-9/16	5/16
MB-2-2	4-3/4	2-3/4	1	2-3/4	5/16
MB-3-2	7-1/8	4-15/16	1-3/16	3-15/16	3/8

**FIGURE 2 INSTALLED DIMENSIONS**



INSTALLED DIMENSIONS							
TYPE	USED ON F200-	PART NO	A	B	C	D	E
MB-1	55	84-0720	4-1/2	1-1/4	1-3/4	3-5/16	5-1/4
MB-1-2	15 THRU 25	84-10130	3-3/4	1-1/4	1-3/4	3	4-7/16
MB-2	85 THRU 265	84-0721	5-15/16	1-9/16	2-9/16	4-7/8	6-11/16
MB-2-2	350 THRU 500	84-10131	6-1/2	2	2-3/4	5-1/4	7-5/16
MB-3-2	600 THRU 1000	84-10132	9-5/16	3-3/4	3-15/16	7-7/16	10-1/4

### WARNINGS

- READ INSTRUCTIONS CAREFULLY BEFORE MOUNTING FILTER.
- DO NOT INSTALL MB TO EQUIPMENT THAT IS UNDER PRESSURE.
- DO NOT DRILL MOUNTING HOLES BEFORE ENSURING THAT NOTHING WILL BE DAMAGED WHILE DRILLING.
- DO NOT MOUNT FILTER WITH UNDERSIZED SCREWS.

## INSTALLING BRACKETS (MB-1 THRU 2-2)

1. Remove filter head from the filter bowl.
2. Place (1) tie rod into each thru-hole until the threaded ends can be seen on either side of the filter head.
3. Place (1) mounting bracket onto each side of filter head, threading tie rod ends through bracket holes as shown in **Figure 3A**. (Be sure that the filter head will be mounted in the correct flow direction).
4. Place (1) washer onto end of each tie rod.
5. Thread (1) nut onto end of each tie rod and tighten down with a 12mm or 1/2 inch wrench.

## INSTALLING BRACKETS (MB-3-2)

1. Remove filter head from the filter bowl.
2. Remove blanking plate from top of filter head
3. Place (1) mounting bracket on one side of the filter head as shown in **Figure 3B**. (Be sure that the filter head will be mounted in the correct flow direction).
4. Place (1) screw into each thru-hole going through the mounting bracket and into the filter head.
5. Place (1) washer onto each screw inside the filter head.
6. Thread (1) nut onto each screw and tighten down with a 12mm or 1/2 inch wrench.
7. Place (1) mounting bracket on the other side of the filter head as shown in **Figure 3B**.
8. Place (1) screw into each thru-hole going through the mounting bracket and into the filter head.
9. Place (1) washer onto each screw inside the filter head.
10. Thread (1) nut onto each screw and tighten down with a 12mm or 1/2 inch wrench.

FIGURE 3A MB-1 THRU MB-2-2 DETAILS (TOP VIEW)

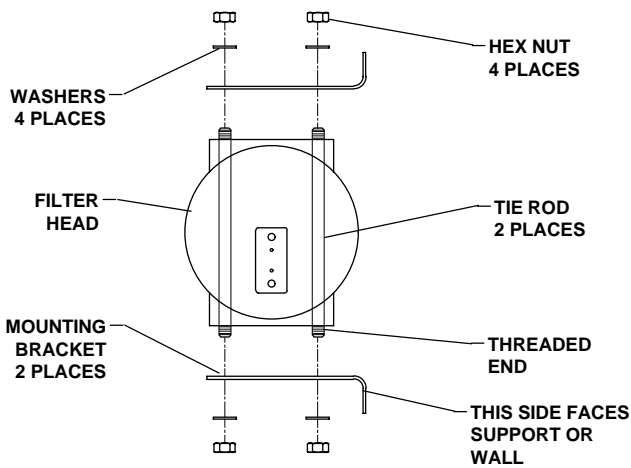
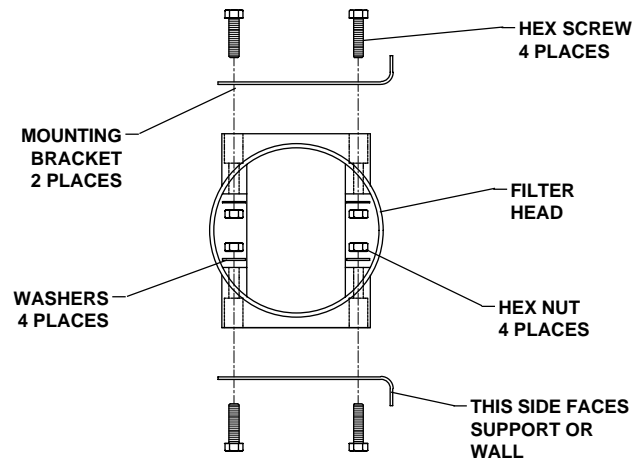


FIGURE 3B MB-3-2 DETAILS (TOP VIEW)



**VAN AIR SYSTEMS INC**  
MAKING COMPRESSED AIR AND GAS WORK BETTER SINCE 1944.

2950 Mechanic Street  
Lake City, PA 16423-2095  
Phone: 814/774-2631  
Fax: 814/774-3482