



APRIL 2000
P/N: 432-10001

INSTALLATION INSTRUCTIONS

PD-5

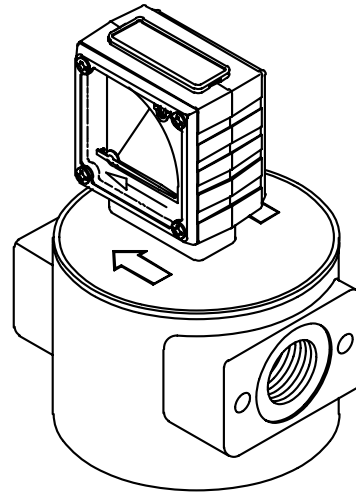
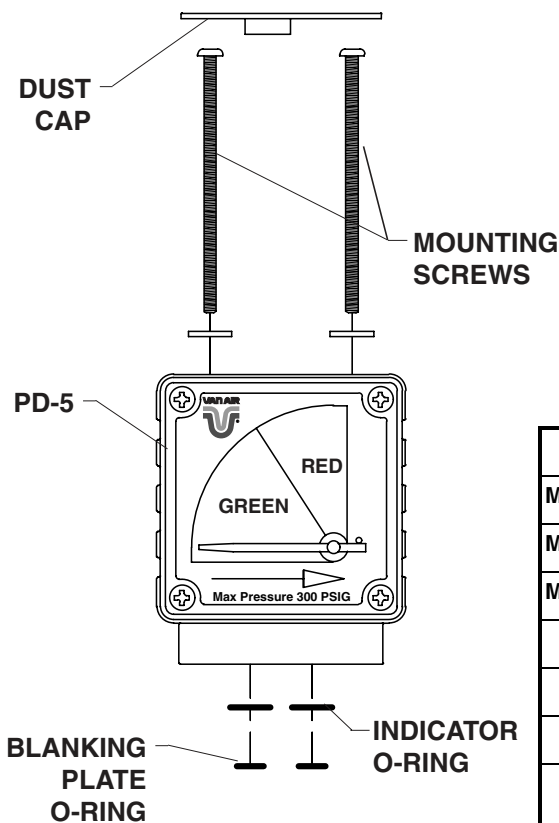
DIFFERENTIAL PRESSURE INDICATOR KIT

P/N: 84-10001

PRODUCT PURPOSE & FUNCTION:

Van Air's PD-5 Differential Pressure Indicators provide a visual indication for element changeout. Designed for F200-55-1/2 thru F200-1000-3 filters, the PD-5 indicator needle will point to red when a pressure drop of 10 PSID has occurred.

FIGURE 1 PD-5 KIT DETAILS



SPECIFICATIONS	
MAXIMUM WORKING PRESSURE	300 PSIG
MAXIMUM TEMPERATURE	225°F
MATERIAL	
BODY	NYLON 6
LENSES	POLYCARBONATE
SEALS (O-RINGS)	BUNA-NITRILE
MAGNETS	ANISOTROPIC FERRITE
WEIGHT	3.4 OZ

WARNINGS

- DO NOT INSTALL PD-5 TO EQUIPMENT WHILE UNDER PRESSURE.
- FOLLOW INSTRUCTIONS FOR PD-5 WHEN INSTALLING INTO AIR SYSTEM.
- DO NOT OPERATE UNIT ABOVE 300 PSIG.
- A ZERO DIFFERENTIAL PRESSURE DOES NOT MEAN THAT THE FILTER IS DEPRESSURIZED. NEVER REMOVE THE INDICATOR AND/OR FILTER BOWL WITHOUT DEPRESSURIZING THE FILTER HOUSING AND ADJACENT PIPING. FAILURE TO DO SO MAY RESULT IN SERIOUS PERSONAL INJURY AND/OR DAMAGE TO THE FILTER HOUSING AND/OR INDICATOR.

INSTALLATION (Reference Figure 2)

1. Remove the blanking plate from the filter head by removing the (2) screws. Note the orientation of the flow direction arrows so the plate may be reinstated correctly.
2. Turn blanking plate upside down. Remove the (2) small o-rings and discard.
3. Drill a 3/32" hole in the center of each o-ring recess. **NOTE: The PD-5 will not function if these holes are not drilled.**
4. Remove PD-5 from its packaging.
5. Install (2) new blanking plate o-rings, included in the installation kit, into the recesses on the bottom side of PD-5. **NOTE: The blanking plate o-rings are slightly smaller than the indicator o-rings.**
6. Remove dust cap from top of PD-5 so that mounting screws are exposed.
7. Install the (2) indicator o-rings into the recesses on the bottom side of the indicator.
8. Assemble and mount PD-5 and blanking plate to filter head as shown in **Figure 2**.
9. Tighten indicator screws firmly. **Do not overtighten as damage may occur to the PD-5 and/or filter head.**
10. Reinstall dust cover on indicator.

