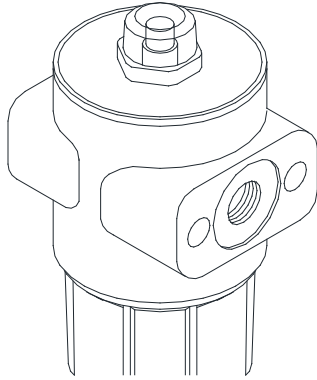


INSTALLATION INSTRUCTIONS

PD6A-C & P DIFFERENTIAL PRESSURE INDICATOR KITS

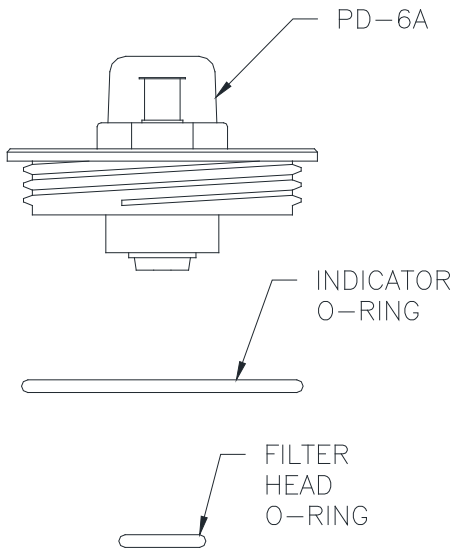
(P/N: 84-10126 & 84-10127)

FIGURE 1: SPECIFICATIONS



SPECIFICATIONS	
MAXIMUM WORKING PRESSURE	250 PSIG
MAXIMUM TEMPERATURE	225F
BODY MATERIAL	PLASTIC
SEAL (O-RING) MATERIAL	BUNA-NITRILE
WEIGHT	1.5 oz

FIGURE 2: PD6A KIT DETAILS



PD-6A-C

PD-6A-C is for coalescing filters (in/out flows).
Part No. 84-10126.

PD-6A-P

PD-6A-P is for particulate filters (out/in flows).
Part No. 84-10127.

KIT INCLUDES:

DESCRIPTION	QTY
PD-6A-C or PD-6A-P	1
Indicator O-ring	1
Filter Head O-ring	1

WARNING

READ ALL INFORMATION IN THIS MANUAL BEFORE INSTALLING NEW PD6A KIT.

BEFORE STARTING MAINTENANCE PROCEDURES, COMPLETELY DEPRESSURIZE THE FILTER TO PREVENT PERSONAL INJURY.

DO NOT REMOVE, REPAIR, OR REPLACE ANY ITEM ON THE FILTER WHILE IT IS PRESSURIZED.

NEVER OPERATE THE FILTER ABOVE THE RATED OPERATING CONDITIONS. OPERATION ABOVE SPECIFIED CONDITIONS WILL RESULT IN DECREASED PERFORMANCE, POSSIBLE DAMAGE TO THE UNIT AND/OR PERSONAL INJURY.

SECTION 1: INSTALLATION

1.1 INSTALLATION (Reference FIGURE 4)

1. Remove the blanking plate from the filter head by unscrewing it counter-clockwise using a 15/16" 6-point socket.
2. Drill 3/32" dia hole in filter head (See FIGURE 3).
3. Place the small o-ring in the inner ring.
4. Place the larger o-ring in the outer ring.
5. Fit the PD-6A into the filter head and tighten clockwise with a 15/16" 6-point socket.

FIGURE 3: HOLE LOCATION

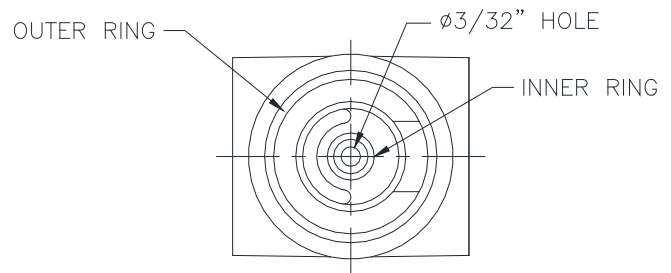
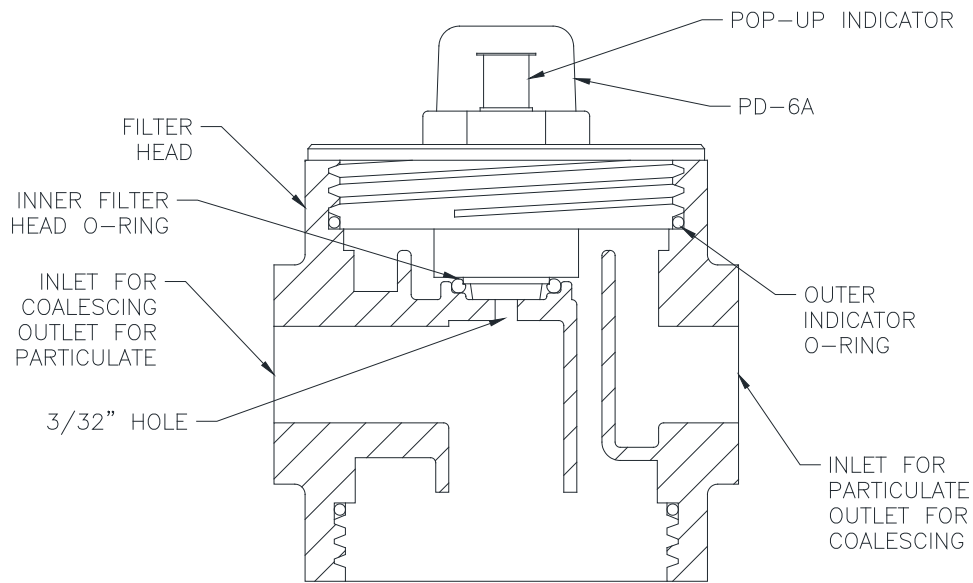


FIGURE 4: INSTALLATION



SECTION 2: WARRANTY

2.1 WARRANTY

1. Per Van Air Systems terms and conditions of sale.

