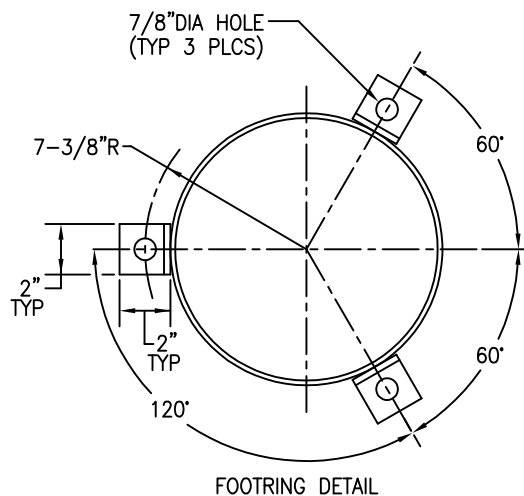


NOTES:

- 1) VESSEL BUILT TO ASME CODE PLUS CURRENT ADDENDA.
- 2) VESSEL STAMPED "U" SYMBOL.
- 3) CORROSION ALLOWANCE: .0625".
- 4) WORKING PRESSURE RANGE: 50-150 PSIG.
- 5) MAXIMUM OPERATING TEMPERATURE: 300°F.
- 6) UNIT APPROXIMATE WEIGHT: 710 LBS.
- 7) VESSEL CAPACITY: 46.40 GALLONS.
- 8) VESSEL VOLUME: 6.20 CUBIC FEET.
- 9) ALL FLANGE BOLT HOLES STRADDLE CENTERLINES.
- 10) VESSEL EXTERIOR PAINTED WHITE ENAMEL.
- 11) ELEMENT IS SHIPPED IN HOUSING.
(ELEMENT MODEL #EVME-1250)
- 12) RATED FLOW: 1250 SCFM AT 100PSIG, 100°F (SEE FLOW MULTIPLIERS FOR PRESSURES OTHER THAN 100 PSIG AND TEMPERATURES OTHER THAN 100°F).
- 13) ELEMENT PRESSURE DROP WILL BE LESS THAN 1 PSID AT INITIAL STARTUP. REPLACE ELEMENT WHEN PRESSURE DROP REACHES 3 PSID.
- 14) DO NOT REVERSE FLOW THE ELEMENT.
- 15) ELEMENT EFFICIENCY: 100% FOR PARTICLES OVER 3 MICRON, 99.5% FOR PARTICLES 3 MICRON AND LESS.
- 16) MAXIMUM MIST CARRYOVER: < 1 PPM.
(ASSUMING AN INLET LOADING OF < 200 PPM)



FLOW MULTIPLIERS (PRESSURE CORRECTION)

ACTUAL PRESSURE (PSIG)	50	60	70	80	90	100	110	120	130	140	150
X FLOW AT 100 PSIG	.56	.65	.74	.83	.91	1.00	1.09	1.17	1.26	1.35	1.44

FLOW MULTIPLIERS (TEMPERATURE CORRECTION)

ACTUAL TEMPERATURE (°F)	50	75	100	125	150	175	200	250	300
FLOW AT 100°F	1.10	1.05	1.00	.96	.92	.88	.85	.79	.74

APP'L	DATE	LVL	REVISION
	4-19-96	A	ECN:NON696

This drawing is the property of

VAN AIR SYSTEMS INC

and is subject to return upon request. It shall not be copied or duplicated in any manner and shall not be submitted to outside parties for examination without the consent of Van Air Systems Inc. It shall be used for reference to work under contract or proposals submitted by Van Air Systems Inc. only.

**MIST ELIMINATOR
VME1250**

P/N 84-0833

DRWN BY: JMK	DATE: 03-11-96	DRWG No.	REV
CHECKED:	SCALE: NONE	SD-13240	A

APPL: **VAN AIR SYSTEMS INC**

Lake City, PA 16423 (814)774-2631 Fax: 814/774-3482 Telex: 91-4548