



OPTIONAL LEVEL SWITCH AND/OR REMOTE ALARM CONTACTS SUPPLEMENTAL INSTRUCTIONS SENTINEL® Model MDV400

- 1.0 REMOTE ALARM CONTACT OPTION
 - 1.1 REMOTE ALARM CONTACT OPTION DESCRIPTION: The Remote Alarm function provides a contact closure indicating that the actuator is not functioning properly. When the actuator fails to position properly, the Normally Open contacts close and a signal can be sent through the contacts. Note: This feature does not indicate all possible unit failures.
 - 1.2 TYPICAL REMOTE ALARM CONTACT OPTION WIRING: Reference Figure 1.
- 2.0 LEVEL CONTROL OPTION
 - 2.1 Level Control Description: This option enables the user to operate the valve via high/low level switches or a combination of a level switch and timer function.
 - 2.2 Setting the operating mode.
 - 2.2a **MDV400L** (LCD Display Model)
 - 2.2a1 Refer to Figure 1 in the separate MDV400L instruction manual for button description.
 - 2.2a2 Firmly push the mode key and down arrow key simultaneously and hold for 6 seconds. Use the Up and Down arrows to select the proper setting (TIMER, TIMER/SW or SWITCH ONLY).

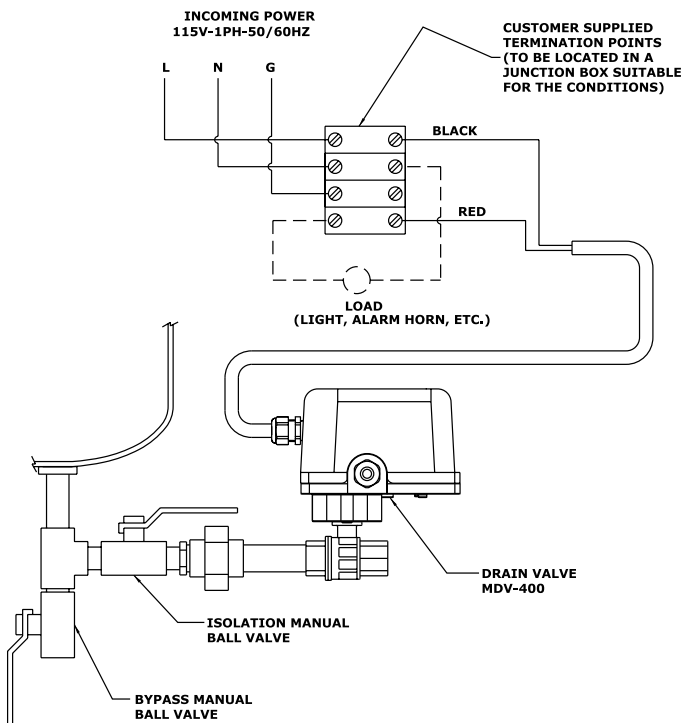
Select the TIMER/SW if you want the level switch to open the valve and the timer to close the valve. Then press the ENTER key. In this mode, whichever happens first overrides the other function. Set the open time per Section 3 of the main instruction manual.

Select SWITCH ONLY if you want the 1 or 2 level switches to open and close the valve. Then press the ENTER key.
 - 2.2b **MDV400I** (Dip Switch Model)
 - 2.2b1 Refer to Figure 4 in the separate MDV400I instruction manual for a diagram of the dip switch.
 - 2.2b2 For Switch only mode, set all 8 switches in the off position. In this mode, the valve will only open and close with a contact closure.
 - 2.2b3 For Timer/Switch mode, select any desired time setting (except all 8 switches off). In this mode a level switch will override the current setting to open or close the valve. If the level switch is not activated, the unit will cycle in accordance with the timer settings.
 - 2.3 WIRING INSTRUCTIONS **MDV400L** (LCD Display Model)
 - 2.3a 1 Float Level Switch (P/N: 26-6829) only.
Reference Figure 2 for wiring. [Mode-SWITCH ONLY](See 2.2a)
One level switch opens/closes the valve.
 - 2.3b 1 Float Level Switch (P/N: 26-6829) and timer
Reference Figure 3 for wiring. [MDV400L Mode-TIMER/SW](See 2.2a)
The switch opens the valve and the timer open setting times out to close the valve.
 - 2.3c 2 Float Level Switches (P/N: 26-6829)
Reference Figure 4 for wiring. [MDV400L Mode-SWITCH ONLY](See 2.2a)
The top float switch opens the valve and the bottom float switch closes the valve.
 - 2.3d 1 Ultrasonic Level Switch (P/N: 26-3667) and timer.
Reference Figure 5 for wiring. [MDV400L Mode-TIMER/SW](See 2.2a)
The switch opens the valve and the timer open setting times out to close the valve.
 - 2.3e 2 Ultrasonic Level Switches (P/N: 26-3667) only.
Reference Figure 6 for wiring. [MDV400L Mode-SWITCH ONLY](See 2.2a)
The top switch opens the valve and the bottom switch closes the valve.

2.4 WIRING INSTRUCTIONS **MDV400I** (Dip Switch Model)

- 2.4a 1 Float Level Switch (P/N: 26-6829) only.
Reference Figure 2 for wiring. [Mode-Switches 1-8 in the off position](See 2.2b)
One level switch opens/closes the valve.
- 2.4b 1 Float Level Switch (P/N: 26-6829) and timer
Reference Figure 3 for wiring. [Mode-Switches in any position except all off](See 2.2b)
The switch opens the valve and the timer open setting times out to close the valve.
- 2.4c 2 Float Level Switches (P/N: 26-6829)
Reference Figure 4 for wiring. [Mode-All switches 1-8 in the off position](See 2.2b)
The top float switch opens the valve and the bottom float switch closes the valve.
- 2.4d 1 Ultrasonic Level Switch (P/N: 26-3667) and timer.
Reference Figure 5 for wiring. [Mode-Switches in any position except all off](See 2.2b)
The switch opens the valve and the timer open setting times out to close the valve.
- 2.4e 2 Ultrasonic Level Switches (P/N: 26-3667) only.
Reference Figure 6 for wiring. [Mode-All switches 1-8 in the off position](See 2.2b)
The top switch opens the valve and the bottom switch closes the valve.

FIGURE 1 ALARM OPTION WIRING



NOTE:
BLACK CONDUCTOR IS WIRED TO THE COMMON TERMINAL OF THE ALARM CONTACT. RED CONDUCTOR IS WIRED TO THE N.O. TERMINAL OF THE ALARM CONTACT. CONTACT IS RATED FOR 2A @ 125 VAC. (PROTECTED BY A 2A FUSE)

ALARM SPECIFICATIONS:
1. MAXIMUM CURRENT: 2 AMP
2. NORMALLY OPEN CONTACT

FIGURE 2 ONE FLOAT LEVEL SWITCH WIRING

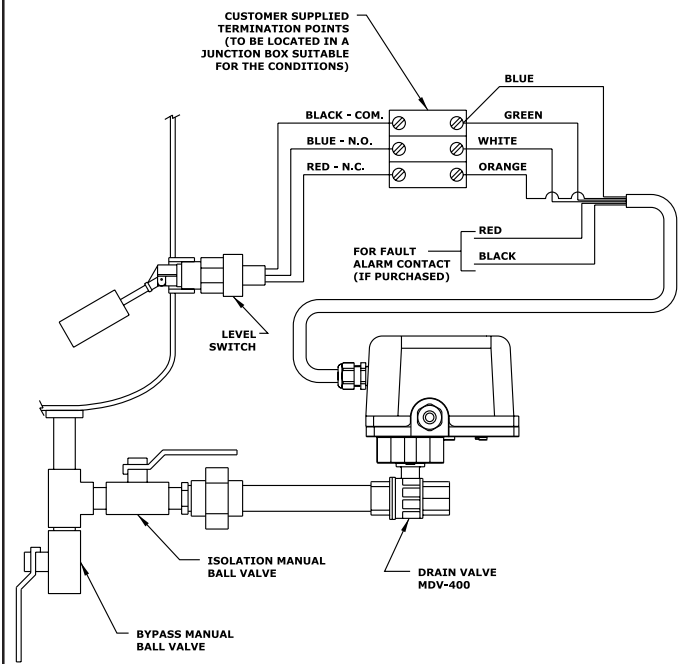


FIGURE 3 ONE FLOAT LEVEL SWITCH WIRING (TIMER CLOSES VALVE)

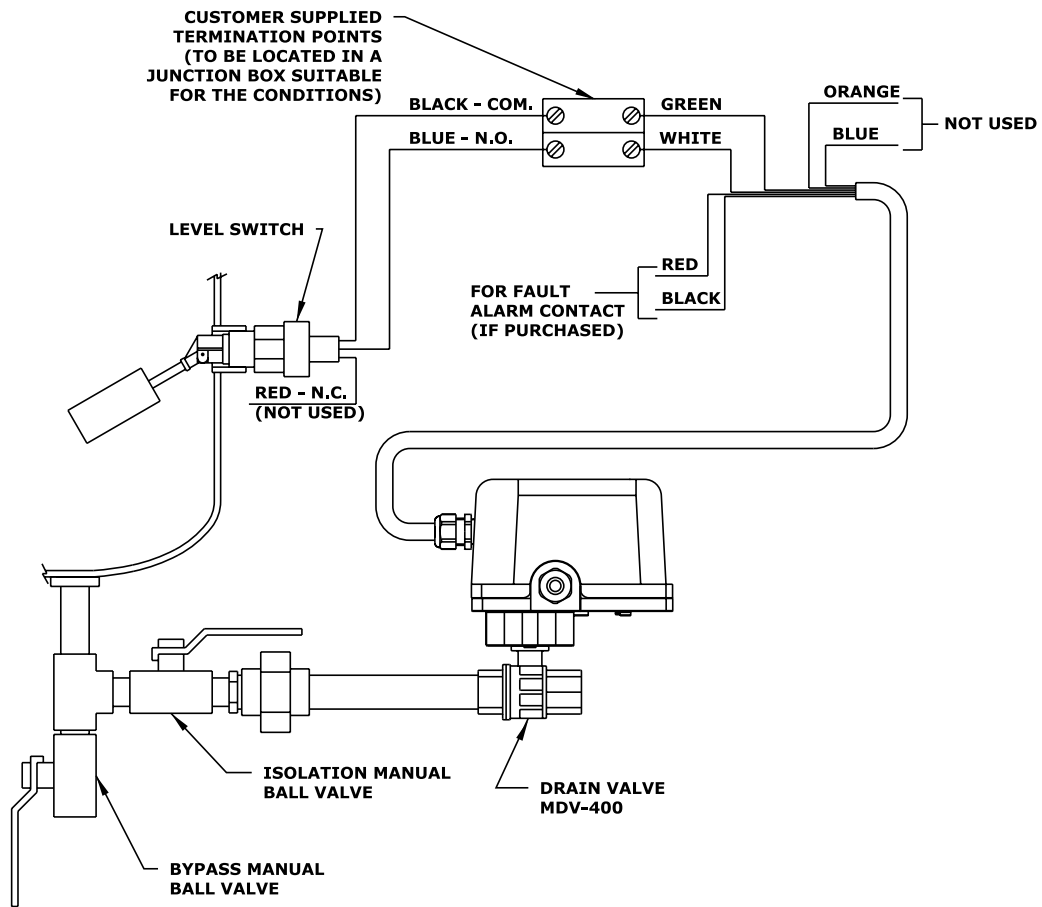


FIGURE 4 TWO FLOAT LEVEL SWITCH WIRING

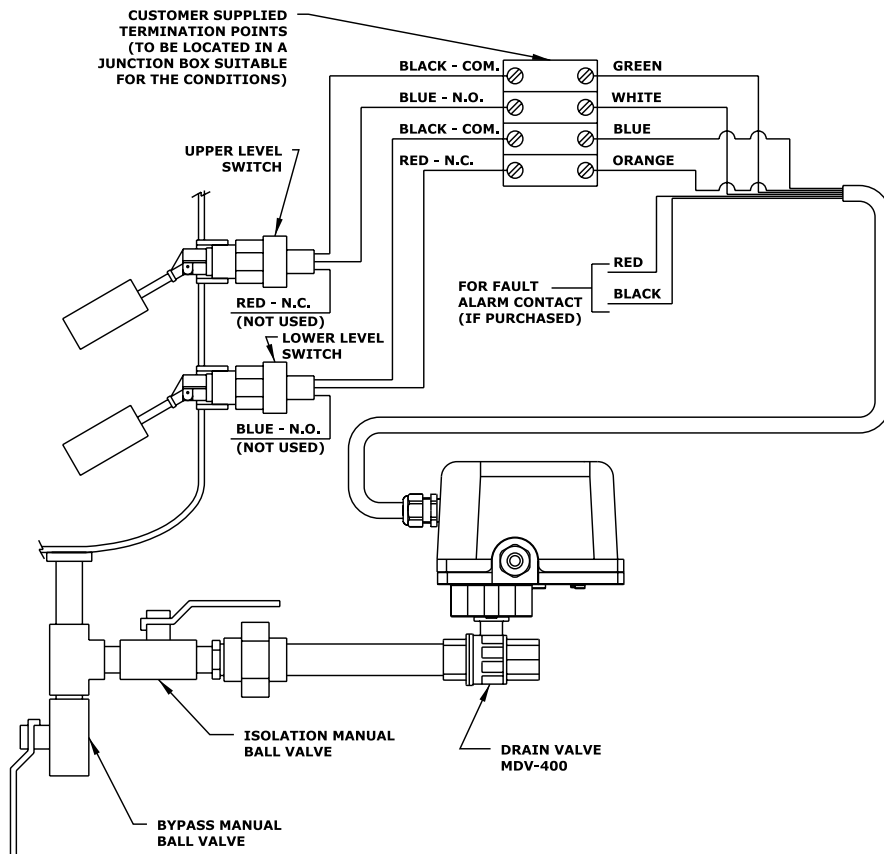


FIGURE 5 ONE ULTRASONIC LEVEL SWITCH WIRING (TIMER CLOSES VALVE)

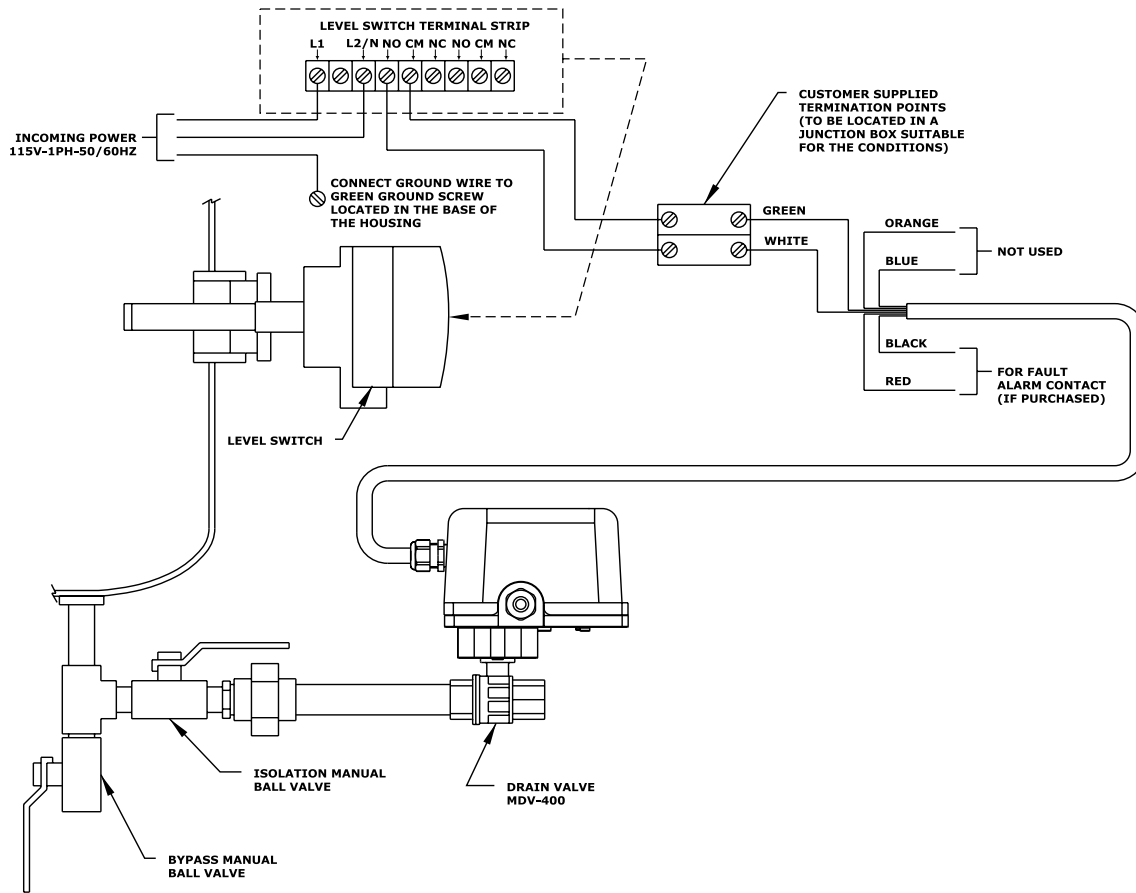


FIGURE 6 TWO ULTRASONIC LEVEL SWITCH WIRING

