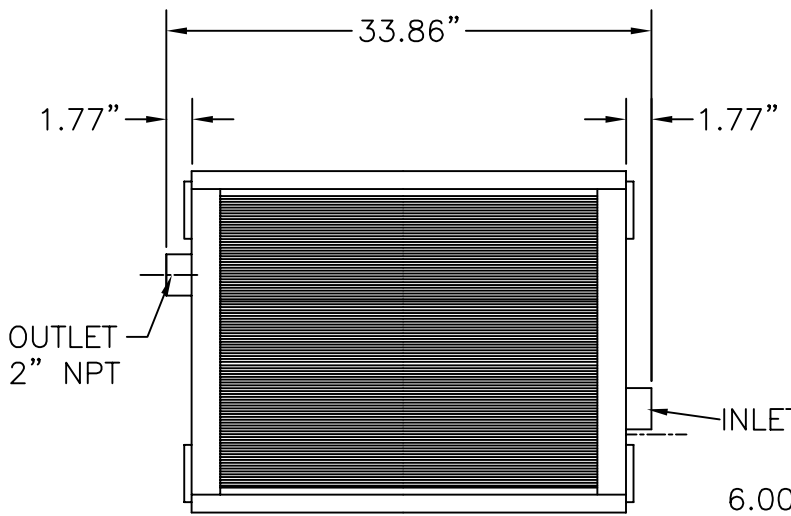
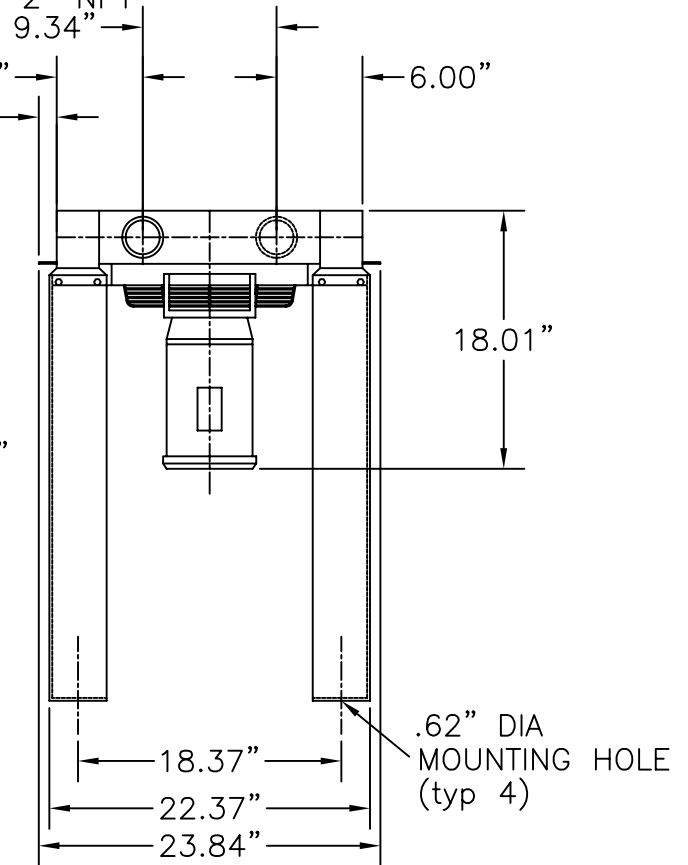
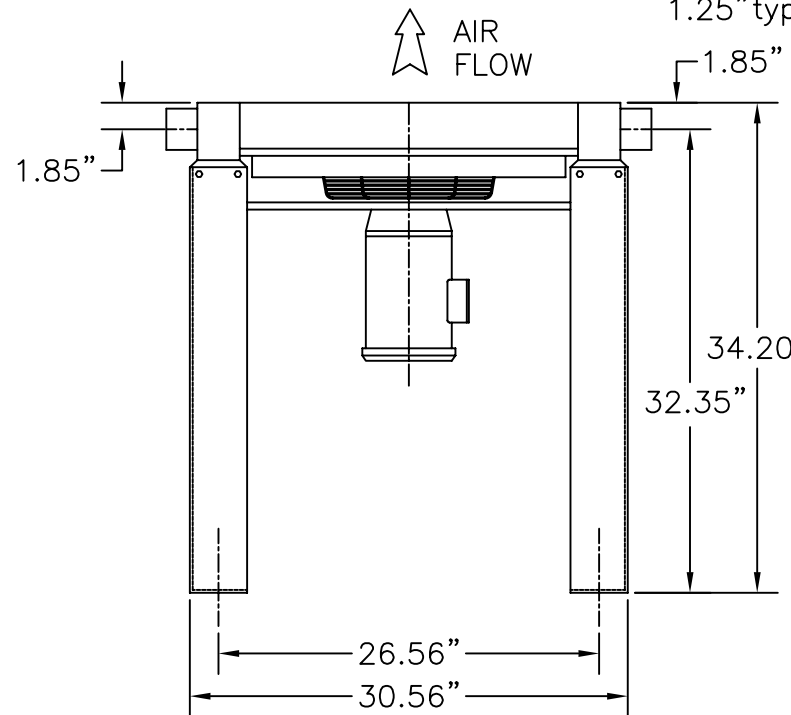


APP'L	DATE	LVL	REVISION
SCF	8-8-95	A	ECN: N0659
	3-26-96	B	ECN: 2600



**NOTES**

1. Maximum Working Pressure: 250 PSIG
2. Maximum Working Temperature: 350°F
3. Materials of Construction:  
Core- Aluminum  
Fan- Aluminum hub, Polypropylene blades  
Motor- TEFC  
Legs & Fan Guard- Steel with baked enamel finish
4. Unit shipped with legs not installed
5. Unit shipping weight: 170 LBS



CAPACITY MAX. SCFM @ 5, 10, 15 and 20°F Approach - Based on 80 to 125 PSIG

INLET TEMP. °F	150				200				250				300				350							
	5	10	15	20	5	10	15	20	5	10	15	20	5	10	15	20	5	10	15	20				
MODEL																								
AC-150 (all voltages)	355	650	890	1025	308	560	760	880	290	545	725	840	245	450	605	701	225	410	540	625				

Maximum pressure drop, less than 3 PSI.

**ELECTRIC MOTOR AND FAN DATA**

MODEL	PART NO	FAN CFM	MOTOR H.P.	VOLTAGE	FULL LOAD AMPS	RPM	NEMA FRAME	THERMAL OVERLOAD	WIRING DIAGRAM
AC-150-6	83-0714	3600	1.5	115/230V-1PH-60Hz	17.0/8.5	3450	56C	NONE	A-6887
AC-150-7	83-0715	3025	1.5	230V-3PH-60Hz	4.2	2850	56C	NONE	A-6888
		3600	1.5	460V-3PH-60Hz	2.1	3450	56C	NONE	

Published electrical ratings are approximate, and may vary because of motor brand. Actual ratings are on motor nameplate. Fan motors MUST NOT be cycled. Outdoor applications must be protected from direct weather. If ductwork or additional static resistance is added to the cooler airstream, an auxiliary air mover may be required.

This drawing is the property of

**VAN AIR SYSTEMS INC**

and is subject to return upon request. It shall not be copied or duplicated in any manner and shall not be submitted to outside parties for examination without the consent of Van Air Systems Inc. It shall be used for reference to work under contract or proposals submitted by Van Air Systems Inc. only.

**AFTERCOOLER  
MODELS AC-150 (ALL VOLTAGES)**

DRWN BY: jAc	DATE: 06-06-95	DRWG No. SD-13124	REV B
CHECKED:	SCALE: ----		

APPL:

**VAN AIR SYSTEMS INC**

Lake City, PA 16423 (814)774-2631 Fax: 814/774-3482