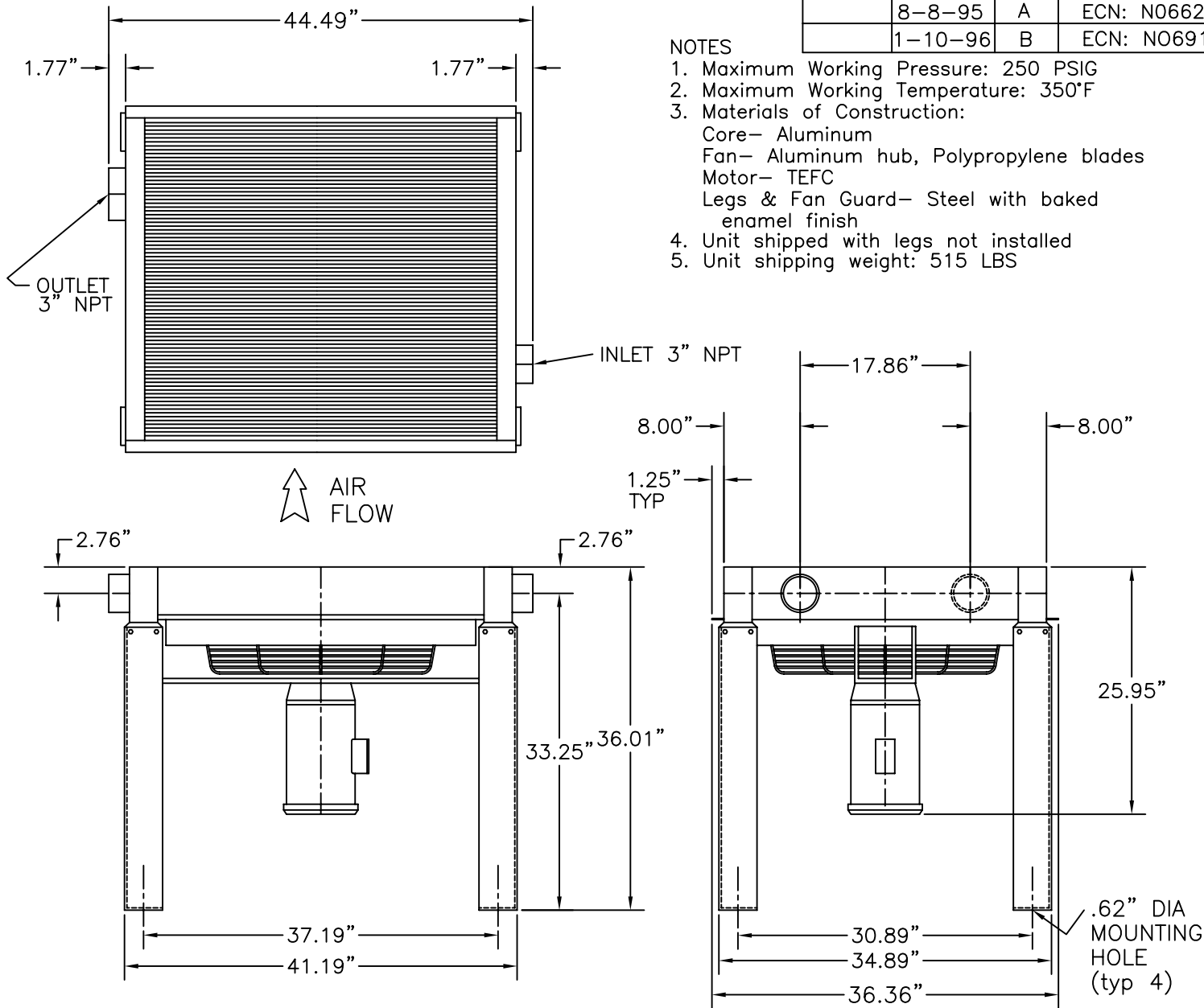


APP'L	DATE	LVL	REVISION
	8-8-95	A	ECN: NO662
	1-10-96	B	ECN: NO691

NOTES

- Maximum Working Pressure: 250 PSIG
- Maximum Working Temperature: 350°F
- Materials of Construction:
 Core- Aluminum
 Fan- Aluminum hub, Polypropylene blades
 Motor- TEFC
 Legs & Fan Guard- Steel with baked enamel finish
- Unit shipped with legs not installed
- Unit shipping weight: 515 LBS



CAPACITY MAX. SCFM @ 5, 10, 15 and 20°F Approach - Based on 80 to 125 PSIG

INLET TEMP. °F	150				200				250				300				350			
	5	10	15	20	5	10	15	20	5	10	15	20	5	10	15	20	5	10	15	20
MODEL																				
AC-180 (all voltages)	790	1440	1950	2260	710	1290	1720	1950	660	1200	1600	1860	530	965	1290	1480	460	840	1135	1300

Maximum pressure drop, less than 3 PSI.

ELECTRIC MOTOR AND FAN DATA

MODEL	PART NO	FAN CFM	MOTOR H.P.	VOLTAGE	FULL LOAD AMPS	RPM	NEMA FRAME	THERMAL OVERLOAD	WIRING DIAGRAM
AC-180-7	83-0724	9700	5.0	230/460V-3PH-60Hz	13.4/6.7	1740	184TC	NONE	A-6888

Published electrical ratings are approximate, and may vary because of motor brand. Actual ratings are on motor nameplate. Fan motors MUST NOT be cycled. Outdoor applications must be protected from direct weather. If ductwork or additional static resistance is added to the cooler airstream, an auxiliary air mover may be required.

This drawing is the property of

VAN AIR SYSTEMS INC

and is subject to return upon request. It shall not be copied or duplicated in any manner and shall not be submitted to outside parties for examination without the consent of Van Air Systems Inc. It shall be used for reference to work under contract or proposals submitted by Van Air Systems Inc. only.

**AFTERCOOLER
 MODELS AC-180 (ALL VOLTAGES)**

DRWN BY: jAc	DATE: 06-06-95	DRWG No. SD-13127	REV B
CHECKED:	SCALE: ----		

APPL:

VAN AIR SYSTEMS INC

Lake City, PA 16423 (814)774-2631 Fax: 814/774-3482